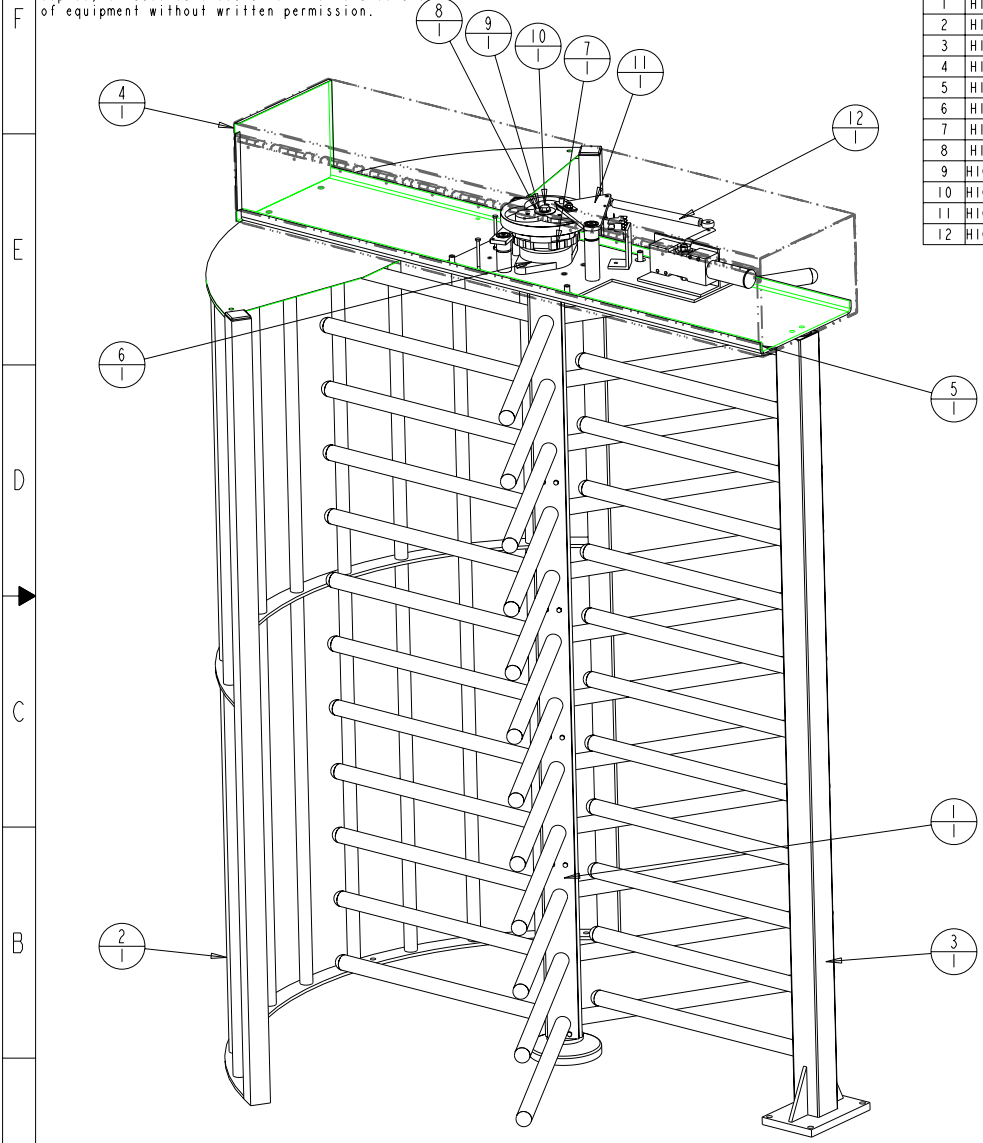


This Document Contains Proprietary Information and is the property of TURNSTILE SECURITY SYSTEMS INC. and shall not be reproduced, copied, or used as a basis for the manufacture of equipment without written permission.

PARTS LIST						
ITEM	PART NO.	DESCRIPTION	MODEL_NAME	RAW MATERIAL SIZE	VENDOR INFO	QTY
1	HIGA-200	CENTER COLUMN ASSY	HI-GATE-CENTER-COLUMN-ASSY	SEE PART DRG		1
2	HIGA-300	HI-GATE-CAGE-ASSY	HI-GATE-CAGE-ASSY	5/16 X 2 IN		1
3	HIGA-400	HI-GATE-STATIONARY POST ASSY	HI-GATE-STATIONARY-POST-ASSY	SEE PART DRG		1
4	HIGA-500	MECHANISM CABINET WELDMNT	HI-GATE-MECHANISM-CABINET	SEE PART DRG		1
5	HIGA-600		HI-GATE-TOP-PLATE-WELD-ASSY	SEE PART DRG		1
6	HIGA-700		HI-GATE-INDEX-BEARING-HOUSING	SEE PART DRG		1
7	HIGA-800		HI-GATE-INDEXING-PLATE-ASSY	SEE PART DRG		1
8	HIGA-900	STANDARD	HI-GATE-TOP-SHAFT-FENNER-WASHER	DIA 2X0.53(ID)X0.06THK		1
9	HIGA-1000	STANDARD	HI-GATE-TOP-SHAFT-WASHER	DIA 1.08 X.53(ID) X 0.1 THK		1
10	HIGA-1100	STANDARD	HI-GATE-TOP-SHAFT-BOLT	1/2 IN X 1 IN L HEX HEAD BOLT		1
11	HIGA-1200	INDEXING ARM ASSY	HI-GATE-INDEXING-ARM-ASSY	SEE PART DRG		1
12	HIGA-1300		HI-GATE-SHOCK-ABSORB-LINK-ASSY	SEE PART DRG		1



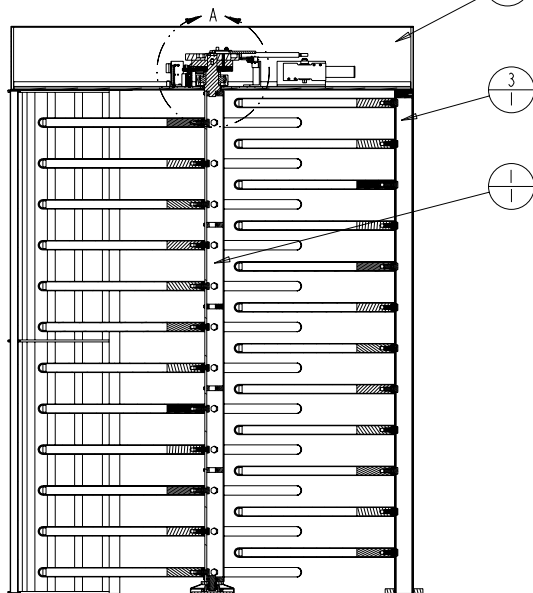
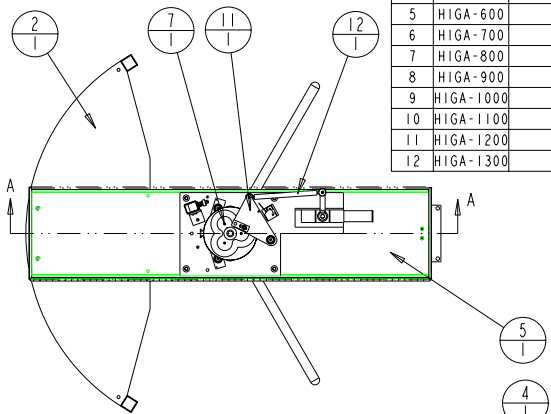
DRAWN GADP	DATE 13-Jan-04	TURNSTILE SECURITY SYSTEMS INC	MODEL : HI GATES ASSY NAME: HI-GATE-MAIN-ASSY	
CHECKED GUENTER	DATE		MATERIAL: SEE PART DRG RAW MATL SIZE-SEE PART DRG	
APPROVED PERRY	DATE		PART/ASSY NAME: HI-GATE-MAIN-ASSY	
ALL DIMENSIONS SHOWN IN INCHES			245, Matheson Blvd. E, Mississauga, Ontario, L4Z 3C9 CANADA TEL: (905) 890-2222 FAX: (905) 890-3786	REV 0
			SIZE A2	PART NO: HIGA-100
			SCALE 0.125	SHEET 1 OF 4

This Document Contains Proprietary Information and is the property of TURNSTILE SECURITY SYSTEMS INC., and shall not be reproduced, copied, or used as a basis for the manufacture of equipment without written permission.

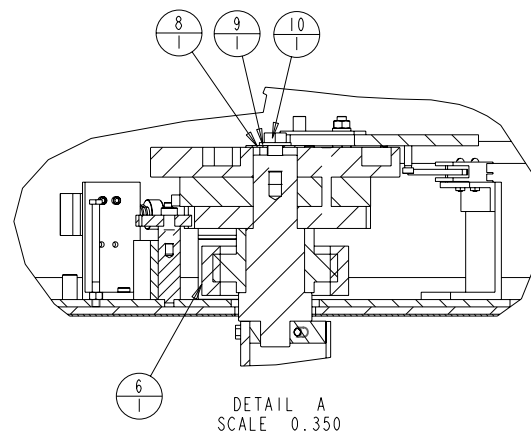
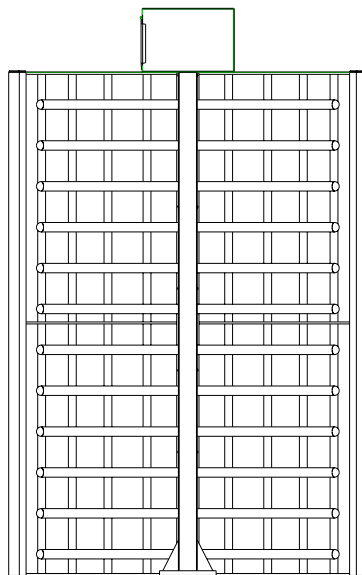
PARTS LIST

ITEM	PART NO.	DESCRIPTION	MODEL NAME	RAW MATERIAL SIZE	VENDOR INFO	QTY
1	HIGA-200	CENTER COLUMN ASSY	HI-GATE-CENTER-COLUMN-ASSY	SEE PART DRG		1
2	HIGA-300	HI-GATE-CAGE-ASSY	HI-GATE-CAGE-ASSY	5/16 X 2 IN		1
3	HIGA-400	HI-GATE-STATIONARY POST ASSY	HI-GATE-STATIONARY-POST-ASSY	SEE PART DRG		1
4	HIGA-500	MECHANISM CABINET WELDMENT	HI-GATE-MECHANISM-CABINET	SEE PART DRG		1
5	HIGA-600		HI-GATE-TOP-PLATE-WELD-ASSY	SEE PART DRG		1
6	HIGA-700		HI-GATE-INDEX-BEARING-HOUSING	SEE PART DRG		1
7	HIGA-800		HI-GATE-INDEXING-PLATE-ASSY	SEE PART DRG		1
8	HIGA-900	STANDARD	HI-GATE-TOP-SHAFT-FENNER-WASHER	DIA 2X0.53(1D)X0.06THK		1
9	HIGA-1000	STANDARD	HI-GATE-TOP-SHAFT-WASHER	DIA 1.08 X.53(1D) X 0.1 THK		1
10	HIGA-1100	STANDARD	HI-GATE-TOP-SHAFT-BOLT	1/2 IN X 1 IN L HEX HEAD BOLT		1
11	HIGA-1200	INDEXING ARM ASSY	HI-GATE-INDEXING-ARM-ASSY	SEE PART DRG		1
12	HIGA-1300		HI-GATE-SHOCK-ABSORB-LINK-ASSY	SEE PART DRG		1

REVISIONS				
ZONE	REV	DESCRIPTION	DATE	ECN
	01	INITIAL RELEASE	--/03	DG



SECTION A-A



DETAIL A
SCALE 0.350

STANDARD TOLERANCES UNLESS SPECIFIED	
x.x	±0.020
x.xx	±0.010
x.xxx	±0.005
HOLES	±0.003
ANGLES	±1/2°

DRAWN GADP DATE 26-Nov-03

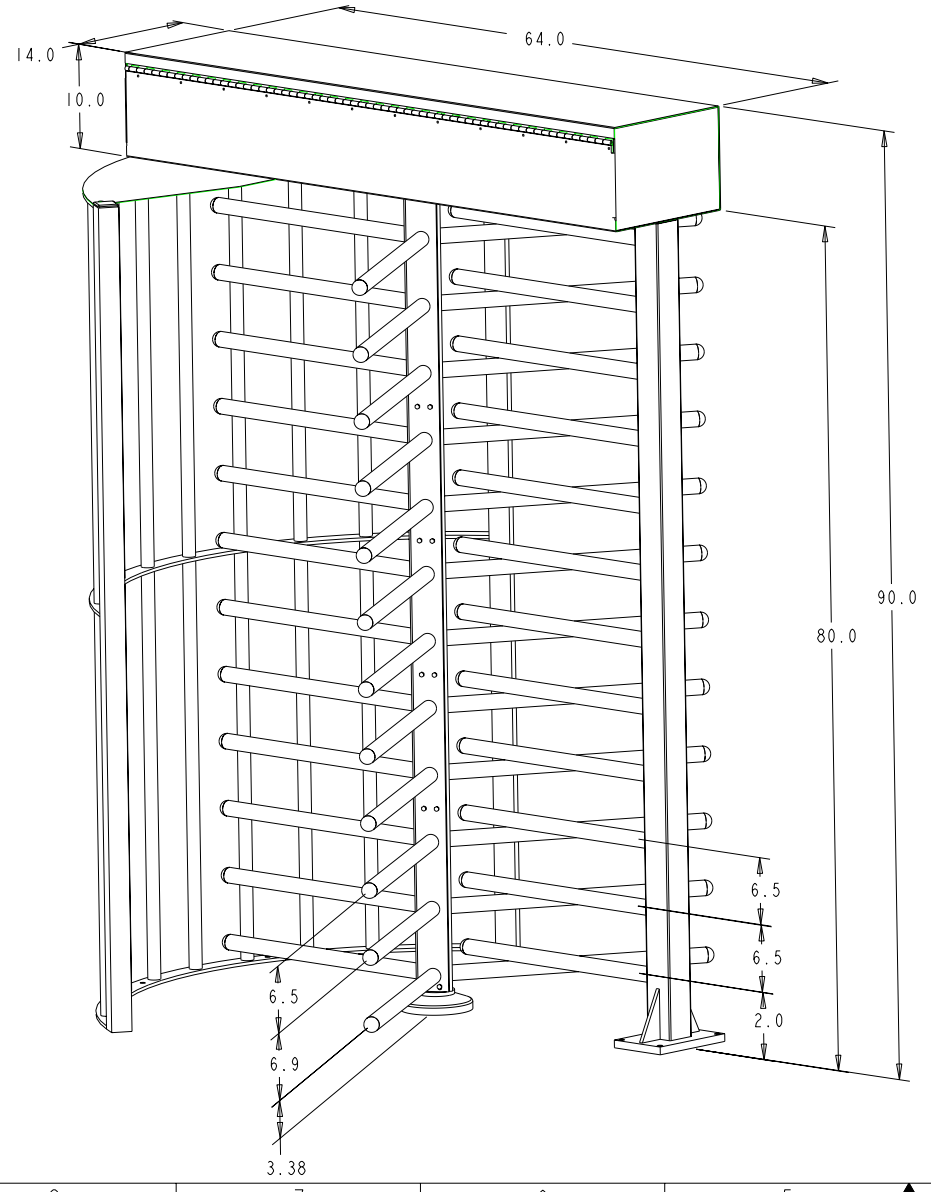
CHECKED GUENTER DATE

APPROVED PERRY DATE

ALL DIMENSIONS SHOWN IN INCHES

TURNSTILE SECURITY SYSTEMS INC 245, Matheson Blvd. E. Mississauga, Ontario, L4Z 3C9 CANADA TEL: (905) 890-2222 FAX: (905) 890-3786		PART NO.: HIGA-100	
		CAD FILE: HI-GATE-MAIN-ASSY.DRW	
		MODEL TYPE: HI GATES	
		TITLE	
		PART/ASSY NAME: HI-GATE-MAIN-ASSY	
		SIZE A2	REV 0
		MATERIAL: SEE PART DRG	SHEET 2 OF 4
		SCALE 0.075	

This Document Contains Proprietary Information and is the property of TURNSTILE SECURITY SYSTEMS INC. and shall not be reproduced, copied, or used as a basis for the manufacture of equipment without written permission.



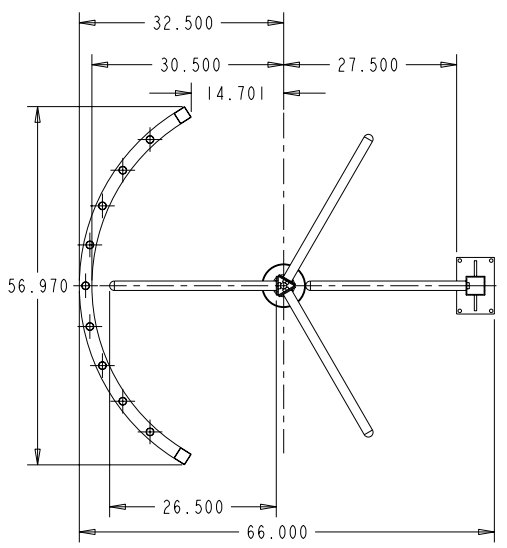
DRAWN GADP	DATE 13-Jan-04
CHECKED GUENTER	DATE
APPROVED PERRY	DATE
ALL DIMENSIONS SHOWN IN INCHES	

**TURNSTILE
SECURITY SYSTEMS INC**

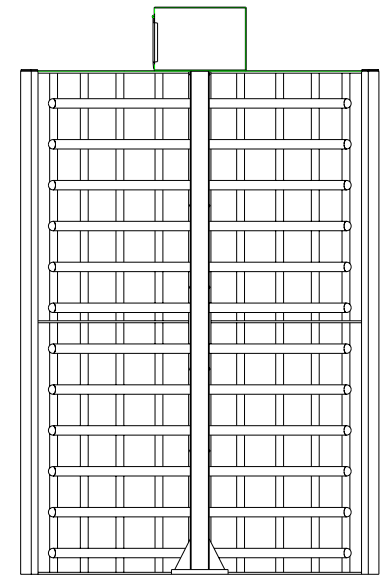
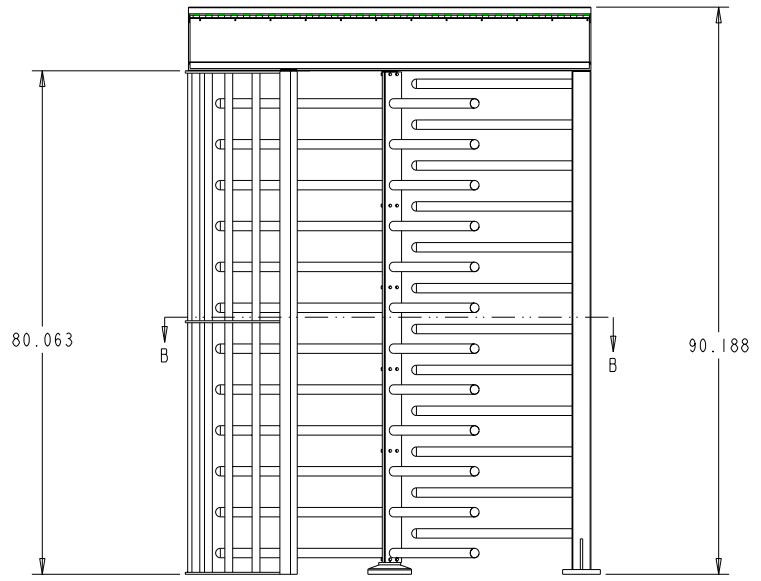
245, Matheson Blvd. E, Mississauga,
Ontario, L4Z 3C9 CANADA
TEL: (905) 890-2222 FAX: (905) 890-3786

MODEL : HI GATES ASSY NAME: HI-GATE-MAIN-ASSY			
MATERIAL: SEE PART DRG RAW MATL SIZE: SEE PART DRG			
PART/ASSY NAME: HI-GATE-MAIN-ASSY			REV 0
SIZE A2	PART NO: HIGA-100	SCALE 0.125	SHEET 3 OF 4

This Document Contains Proprietary Information and is the property of TURNSTILE SECURITY SYSTEMS INC. and shall not be reproduced, copied, or used as a basis for the manufacture of equipment without written permission.



SECTION B-B



DRAWN GADP	DATE 13-Jan-04
CHECKED GUENTER	DATE
APPROVED PERRY	DATE
ALL DIMENSIONS SHOWN IN INCHES	

**TURNSTILE
SECURITY SYSTEMS INC**
245, Matheson Blvd. E, Mississauga,
Ontario, L4Z 3C9 CANADA
TEL: (905) 890-2222 FAX: (905) 890-3786

MODEL : HI GATES		ASSY NAME: HI-GATE-MAIN-ASSY	
MATERIAL: SEE PART DRG		RAW MATL SIZE-SEE PART DRG	
PART/ASSY NAME: HI-GATE-MAIN-ASSY			REV 0
SIZE A2	PART NO: HIGA-100	SCALE 0.075	SHEET 4 OF 4