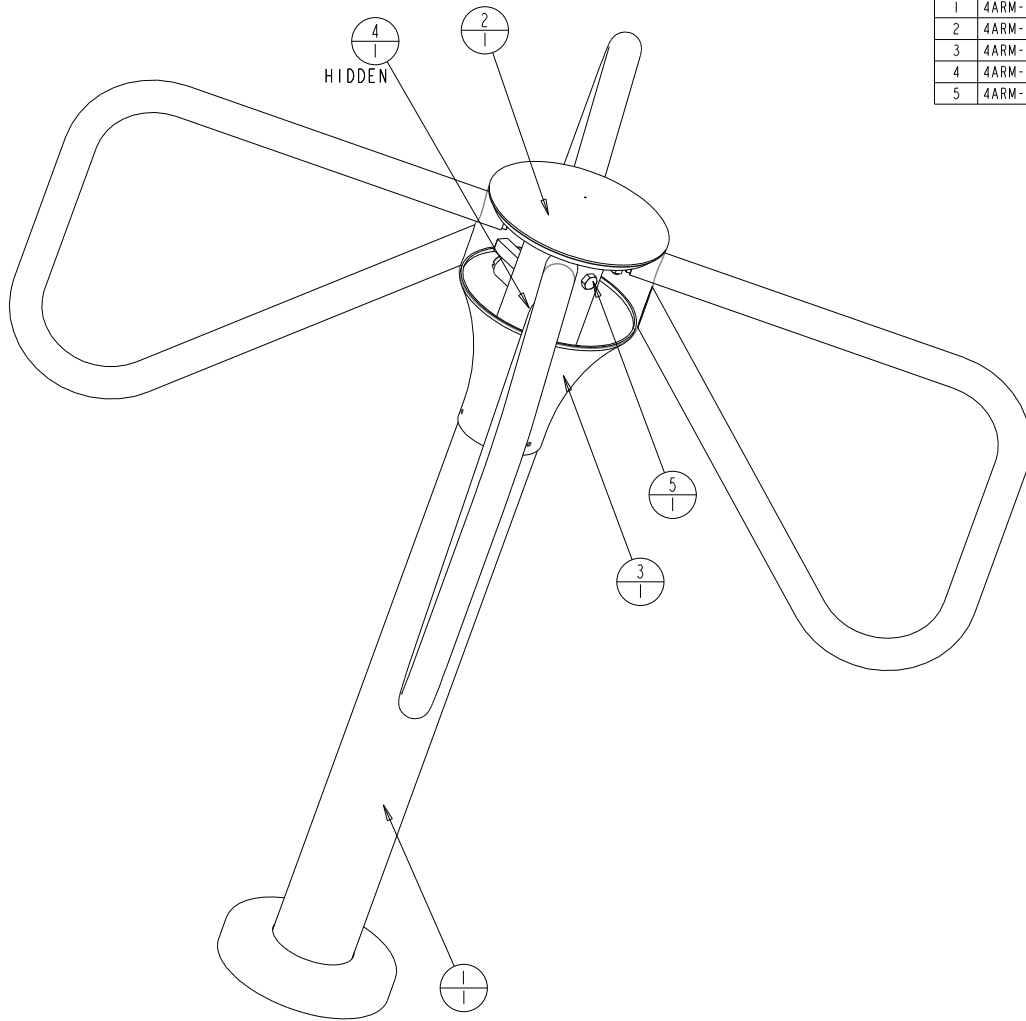


This Document Contains Proprietary Information and is the property of TURNSTYLE SECURITY SYSTEMS INC., and shall not be reproduced, copied, or used as a basis for the manufacture of equipment without written permission.

REVISIONS				
ZONE	REV	DESCRIPTION	DATE	ECN
	01	INITIAL RELEASE	--/03	DG

PARTS LIST

ITEM	PART NO.	DESCRIPTION	MODEL_NAME	RAW MATERIAL SIZE	VENDOR INFO	QTY
1	4ARM-200	POST ASSY	4ARM-GATE-POST-ASSY	SEE PART DRG		1
2	4ARM-200	SWIVEL ARM ASSY	4ARM-GATE-SWIVEL-ARM-ASSY	SEE PART DRG		1
3	4ARM-XXX	CONE	4ARM-GATE-CONE	16 GA THK		1
4	4ARM-XXX	STANDARD	4ARM-GATE-LOCK-NUT	1 IN-8 X 5-1/2 WITH NYLON WASHER		1
5	4ARM-XXX	STANDARD	4ARM-GATE-POST-BOLT	HEX HEAD 3/8-24 X 3/4 L		1

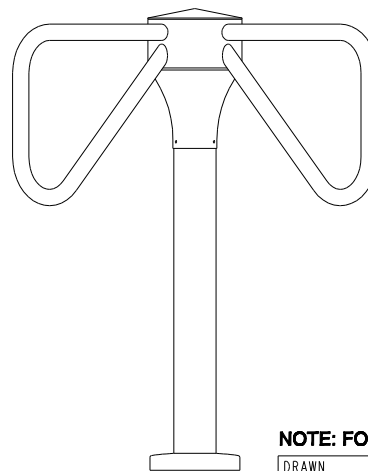
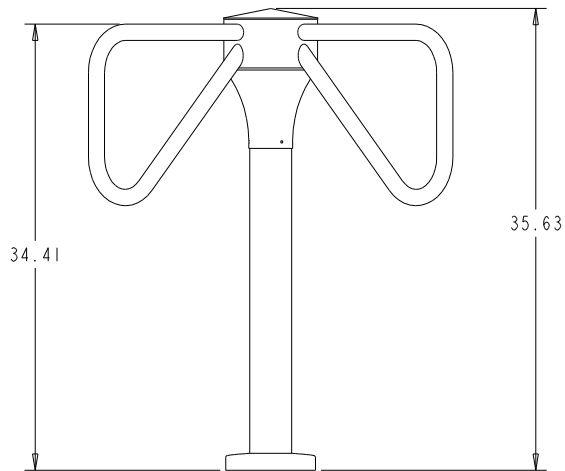
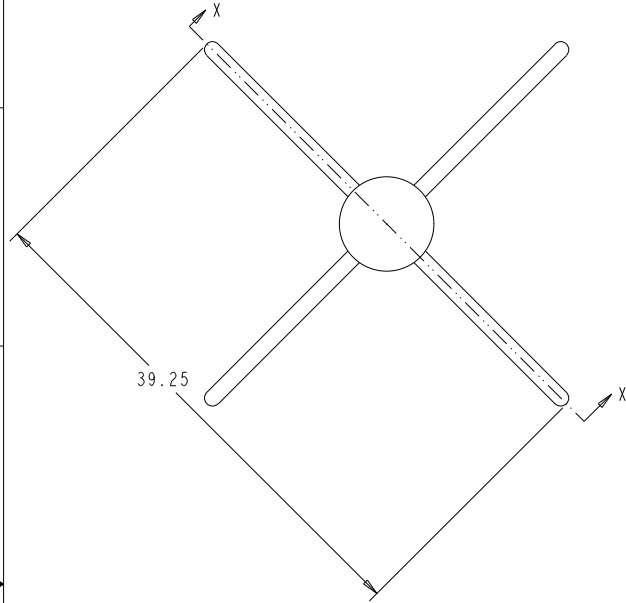


SCALE 0.300
VIEW SHOWN WITHOUT
ARM BODY

STANDARD TOLERANCES UNLESS SPECIFIED		DRAWN	DATE
x.x	±0.020	GADP	24-Oct-03
x.xx	±0.010	CHECKED	DATE
x.xxx	±0.005	GUENTER	
HOLES	±0.003	APPROVED	DATE
ANGLES	±1/2°	PERRY	
		ALL DIMENSIONS SHOWN IN INCHES	

TURNSTYLE SECURITY SYSTEMS INC 245, Matheson Blvd.E, Mississauga, Ontario, L4Z 3C9 CANADA TEL: (905) 890-2222 FAX: (905) 890-3786		PART NO.: 4ARM-100 CAD FILE: 4ARM-GATE-MAIN-ASSY.DRW	
		MODEL TYPE: 4 ARM	
		TITLE 4 ARM GATE MAIN ASSY	
		PART/ASSY NAME: 4ARM-GATE-MAIN-ASSY	
SIZE A2	MATERIAL: SEE PART DRG	SCALE 0.056	REV 0 SHEET 1 OF 5

This Document Contains Proprietary Information and is the property of TURNSTILE SECURITY SYSTEMS INC. and shall not be reproduced, copied, or used as a basis for the manufacture of equipment without written permission.



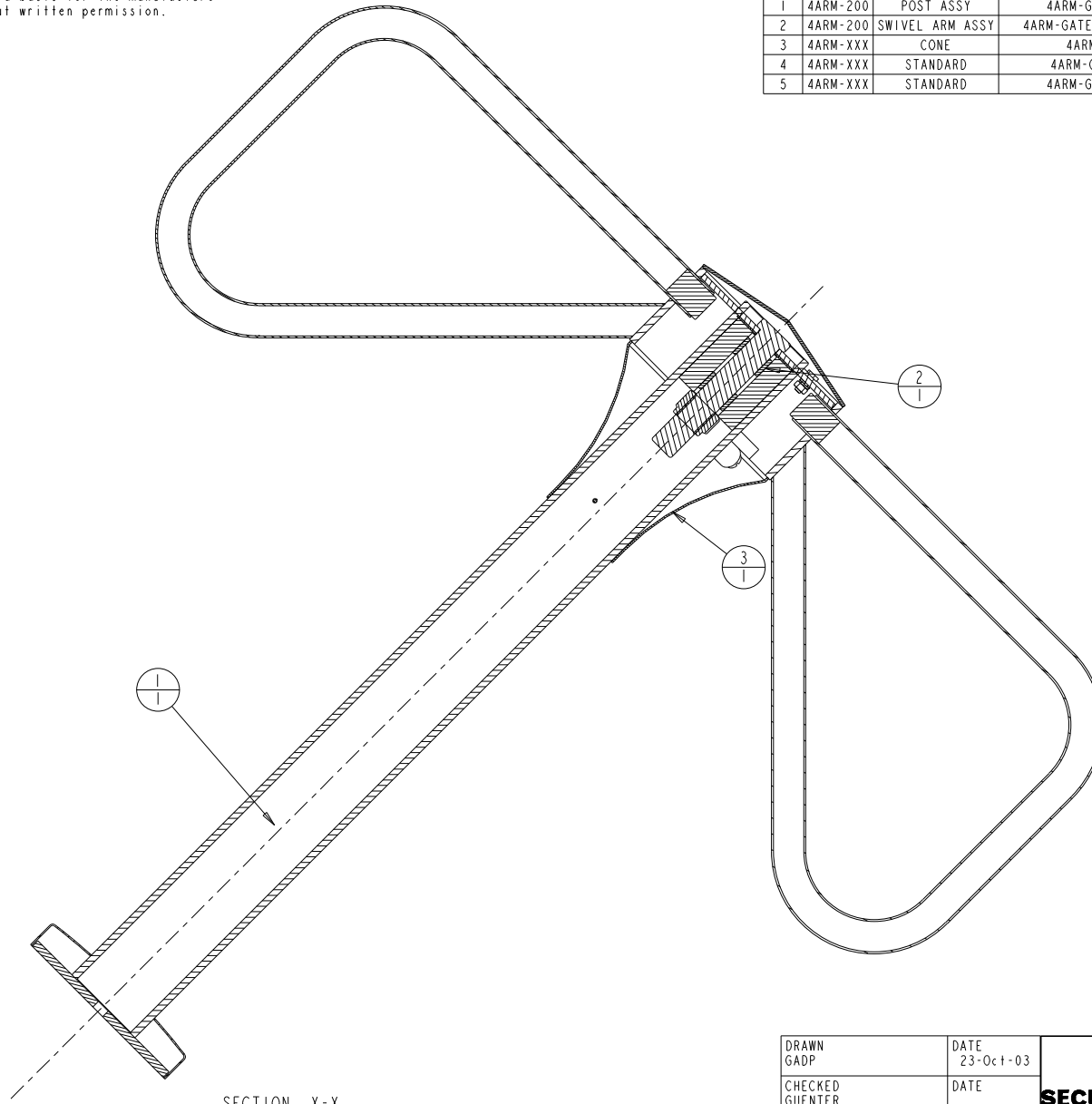
NOTE: FOR VIEW SECTION X-X SEE SHEET 3

DRAWN GADP	DATE 23-Oct-03	TURNSTILE SECURITY SYSTEMS INC	MODEL : 4 ARM ASSY NAME: 4ARM-GATE-MAIN-ASSY
CHECKED GUENTER	DATE		MATERIAL: SEE PART DRG RAW MATL SIZE-SEE PART DRG
APPROVED PERRY	DATE		PART/ASSY NAME: 4ARM-GATE-MAIN-ASSY
ALL DIMENSIONS SHOWN IN INCHES		245, Matheson Blvd. E, Mississauga, Ontario, L4Z 3C9 CANADA TEL: (905) 890-2222 FAX: (905) 890-3786	REV 0
		SIZE A2	PART NO: 4ARM-100
		SCALE 0.150	SHEET 2 OF 5

This Document Contains Proprietary Information and is the property of TURNSTILE SECURITY SYSTEMS INC. and shall not be reproduced, copied, or used as a basis for the manufacture of equipment without written permission.

PARTS LIST

ITEM	PART NO.	DESCRIPTION	MODEL NAME	RAW MATERIAL SIZE	VENDOR INFO	QTY
1	4ARM-200	POST ASSY	4ARM-GATE-POST-ASSY	SEE PART DRG		1
2	4ARM-200	SWIVEL ARM ASSY	4ARM-GATE-SWIVEL-ARM-ASSY	SEE PART DRG		1
3	4ARM-XXX	CONE	4ARM-GATE-CONE	16 GA THK		1
4	4ARM-XXX	STANDARD	4ARM-GATE-LOCK-NUT	1 IN-8 X 5-1/2 WITH NYLON WASHER		1
5	4ARM-XXX	STANDARD	4ARM-GATE-POST-BOLT	HEX HEAD 3/8-24 X 3/4 L		1



SECTION X-X

DRAWN GADP	DATE 23-Oct-03
CHECKED GUENTER	DATE
APPROVED PERRY	DATE
ALL DIMENSIONS SHOWN IN INCHES	

**TURNSTILE
SECURITY SYSTEMS INC**

245, Matheson Blvd. E. Mississauga,
Ontario, L4Z 3C9 CANADA
TEL: (905) 890-2222 FAX: (905) 890-3786

MODEL : 4 ARM		ASSY NAME: 4ARM-GATE-MAIN-ASSY	
MATERIAL: SEE PART DRG		RAW MATL SIZE-SEE PART DRG	
PART/ASSY NAME: 4ARM-GATE-MAIN-ASSY		REV 0	SHEET 3 OF 5
SIZE A2	PART NO: 4ARM-100	SCALE 0.350	

This Document Contains Proprietary Information and is the property of TURNSTILE SECURITY SYSTEMS INC. and shall not be reproduced, copied, or used as a basis for the manufacture of equipment without written permission.

PARTS LIST

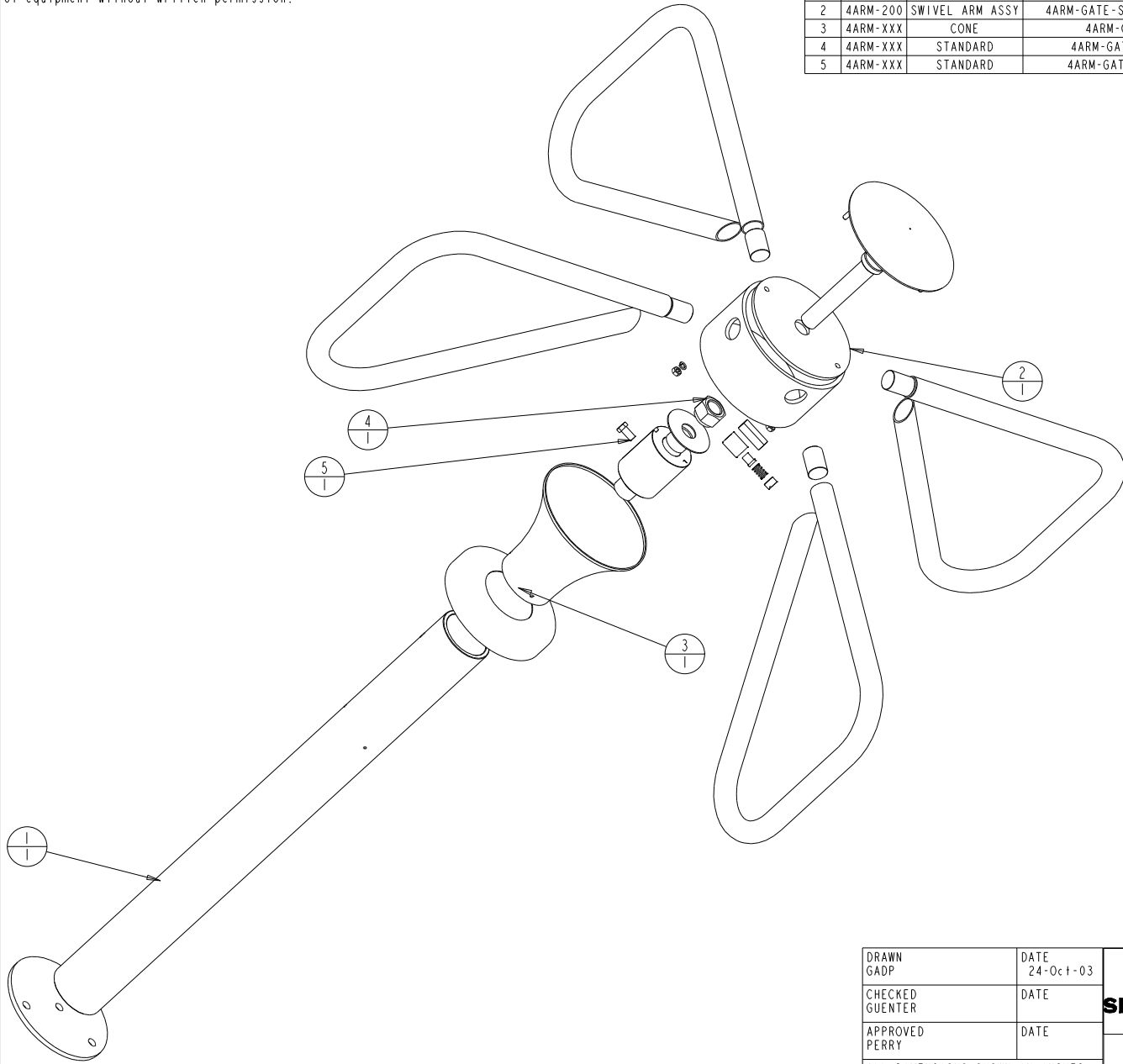
ITEM	PART NO.	DESCRIPTION	MODEL NAME	TYPE	RAW MATERIAL SIZE	VENDOR INFO	QTY
1	4ARM-200	POST ASSY	4ARM-GATE-POST-ASSY	ASSEMBLY	SEE PART DRG	SEE PART DRG	1
	4ARM-201	FLANGE	4ARM-GATE-FLANGE	PART	0.288 THK	-	1
	4ARM-202	POST	4ARM-GATE-POST	PART	DIA2.375 X 0.12WALL(16GA)DOM	FOR PLATING	1
	4ARM-203	FLANGE COVER	4ARM-GATE-FLANGE-COVER	PART	16 GA-	FOR FORMING AND PLATING	1
2	4ARM-200	SWIVEL ARM ASSY	4ARM-GATE-SWIVEL-ARM-ASSY	ASSEMBLY	SEE PART DRG	SEE PART DRG	1
	4ARM-301	ARM BODY ASSY	4ARM-GATE-ARM-BODY	ASSEMBLY	SEE PART DRG	SEE PART DRG	1
	4ARM-302	TOP PLATE ASSY	4ARM-GATE-TOP-PLATE	ASSEMBLY	SEE PART DRG	SEE PART DRG	1
	4ARM-203	BRAKE SPRING WASHER	4ARM-GATE-BRAKE-SPRING-WASHER	PART	1/4 IN X 0.06 THK-	FOR PLATING	2
	4ARM-204	TOP PLATE NUT	4ARM-GATE-TOP-PLATE-NUT	PART	1/4-20 UNC	FOR PLATING	2
	4ARM-305	ARM ASSY	4ARM-GATE-ARM-ASSY	ASSEMBLY	SEE PART DRG	SEE PART DRG	4
	4ARM-206	PLASTIC WASHER	4ARM-GATE-PLASTIC-WASHER	PART	0.064 THK-	-	1
	4ARM-307	BEARING ASSY	4ARM-GATE-BEARING-ASSY	ASSEMBLY	SEE PART DRG	SEE PART DRG	1
3	4ARM-XXX	CONE	4ARM-GATE-CONE	PART	16 GA THK	-	1
4	4ARM-XXX	STANDARD	4ARM-GATE-POST-BOLT	PART	HEX HEAD 3/8-24 X 3/4 L	-	1
5	4ARM-XXX	STANDARD	4ARM-GATE-LOCK-NUT	PART	1 IN-8 X 5-1/2 WITH NYLON WASHER	-	1

DRAWN GADP	DATE 23-Oct-03	TURNSTILE SECURITY SYSTEMS INC	MODEL : 4 ARM ASSY NAME: 4ARM-GATE-MAIN-ASSY	
CHECKED GUENTER	DATE		MATERIAL: SEE PART DRG RAW MATL SIZE-SEE PART DRG	
APPROVED PERRY	DATE		PART/ASSY NAME: 4ARM-GATE-MAIN-ASSY	REV 0
ALL DIMENSIONS SHOWN IN INCHES			SIZE A2	PART NO: 4ARM-100
		245, Matheson Blvd. E, Mississauga, Ontario, L4Z 3C9 CANADA TEL: (905) 890-2222 FAX: (905) 890-3786		SHEET 4 OF 5

This Document Contains Proprietary Information and is the property of TURNSTILE SECURITY SYSTEMS INC. and shall not be reproduced, copied, or used as a basis for the manufacture of equipment without written permission.

PARTS LIST

ITEM	PART NO.	DESCRIPTION	MODEL NAME	RAW MATERIAL SIZE	VENDOR INFO	QTY
1	4ARM-200	POST ASSY	4ARM-GATE-POST-ASSY	SEE PART DRG		1
2	4ARM-200	SWIVEL ARM ASSY	4ARM-GATE-SWIVEL-ARM-ASSY	SEE PART DRG		1
3	4ARM-XXX	CONE	4ARM-GATE-CONE	16 GA THK		1
4	4ARM-XXX	STANDARD	4ARM-GATE-LOCK-NUT	1 IN-8 X 5-1/2 WITH NYLON WASHER		1
5	4ARM-XXX	STANDARD	4ARM-GATE-POST-BOLT	HEX HEAD 3/8-24 X 3/4 L		1



DRAWN GADP	DATE 24-Oct-03	TURNSTILE SECURITY SYSTEMS INC	MODEL : 4 ARM
CHECKED GUENTER	DATE		ASSY NAME: 4ARM-GATE-MAIN-ASSY
APPROVED PERRY	DATE		MATERIAL: SEE PART DRG
ALL DIMENSIONS SHOWN IN INCHES			RAW MATL SIZE-SEE PART DRG
		245, Matheson Blvd. E, Mississauga, Ontario, L4Z 3C9 CANADA TEL: (905) 890-2222 FAX: (905) 890-3786	PART/ASSY NAME: 4ARM-GATE-MAIN-ASSY
			REV 0
			SIZE A2
			PART NO: 4ARM-100
			SCALE 0.250
			SHEET 5 OF 5

This document was created with Win2PDF available at <http://www.daneprairie.com>.
The unregistered version of Win2PDF is for evaluation or non-commercial use only.