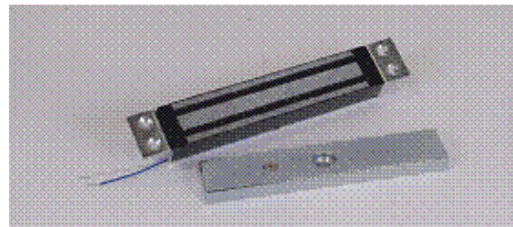


MAGNETIC LOCK GATE



SCOPE OF OPERATION

- Magnetic operating swing gates are a popular alternate to turnstiles, to how customers enter and exit your premises.
- Used mostly for Handicap accessibility, the Magnetic lock gate has become utilized in emergency stairway closure applications as well.
- These self closing units come standard with 600lb magnetic lock located in separate post for creating the strongest security barrier

MATERIALS

All materials meet the ASTM standards as set forth by the materials industry.

- The gate post is constructed out of 14 gauge DOM tube.
- Complete with 600lbs magnetic lock with mounting post.
- Arm closing: controlled by shock absorber, for soft opening and closing
- Standard gate arm lengths for ADA compliance
- Complete with white ABS sign and channels.
- Anchor bolts are hidden by a cover which snaps over the floor mounting flange.

FEATURES

- Allows for left hand or right hand operation. The direction is set during fabrication.
- One way passage only
- Available electric locking or un-locking, this is set during fabrication.
- Adjustable hydraulic speed control
- 24 volt operation system
- Adjustable time out delay
- Activation is achieved by supplying a dry contact input or 12 volt pulse either through a push button, access controlled software or photo eye sensor.

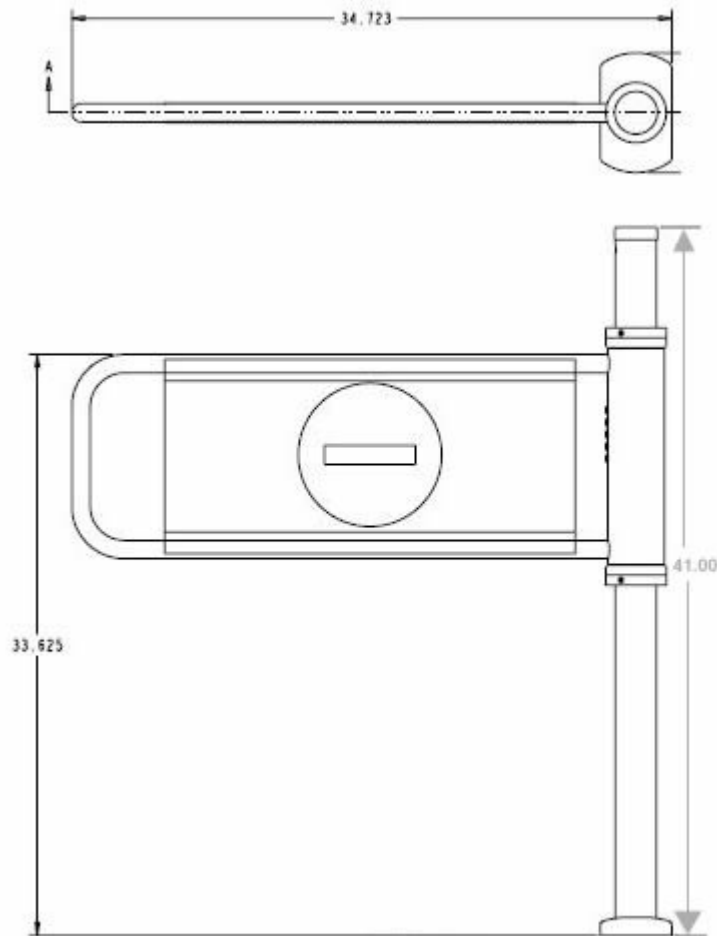
OPTIONS

- Push button override
- Photo eye Sensor
- Computer Interface

FINISHES

- Bright Chrome
- Satin Chrome Finish
- Powder coat paint

ELEVATION DIAGRAM



FLOOR PLAN

