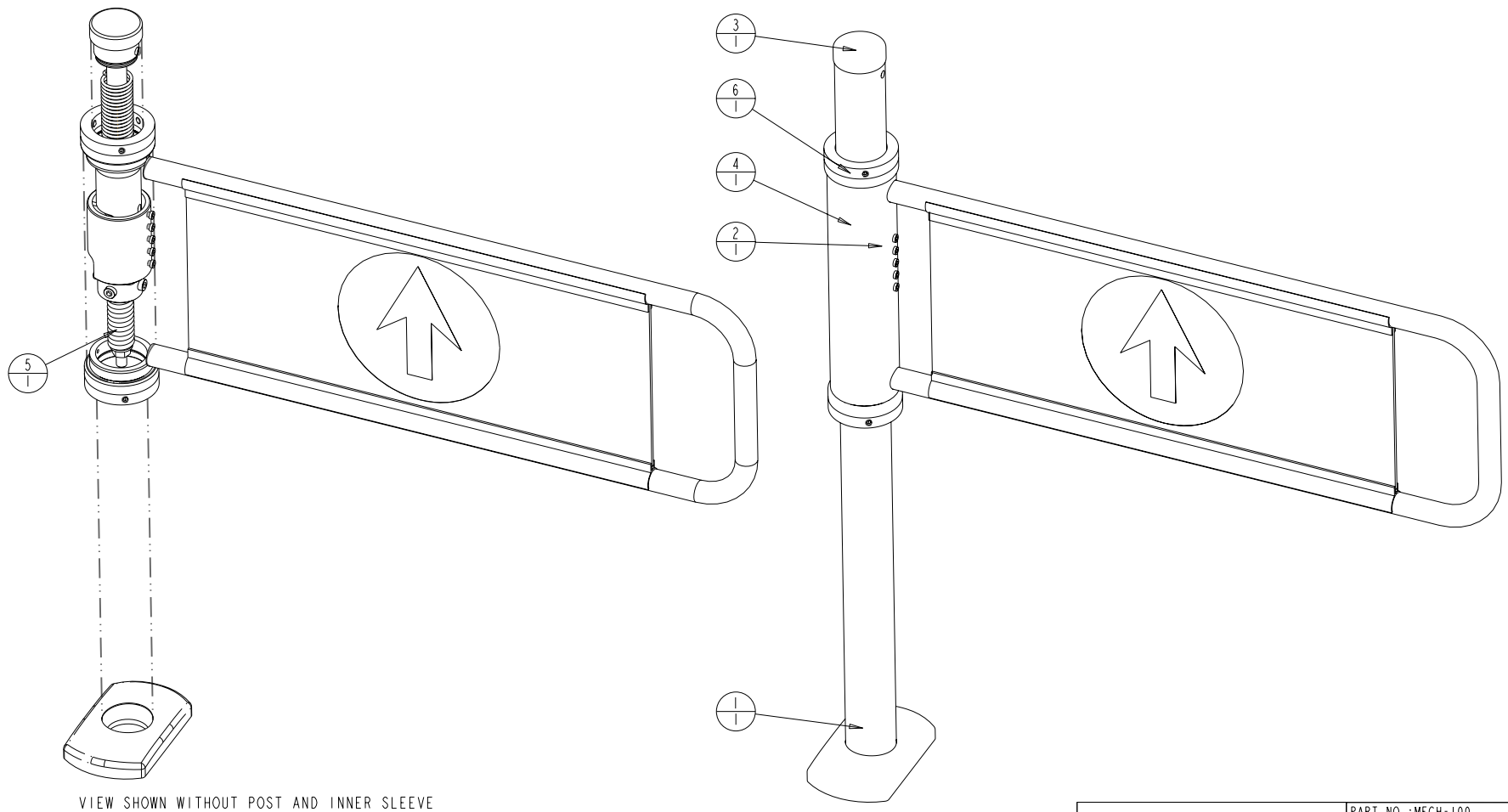


This Document Contains Proprietary Information and is the property of TURNSTILE SECURITY SYSTEMS INC., and shall not be reproduced, copied, or used as a basis for the manufacture of equipment without written permission.

### PARTS LIST

ITEM	PART NO.	DESCRIPTION	MODEL NAME	RAW MATERIAL SIZE	VENDOR INFO	QTY
1	MECH-200	POST ASSY	MECHANICAL-GATE-POST	SEE PART DRAWINGS		1
2	MECH-300	SHOCK ASSY	MECHANICAL-GATE-SHOCK	SEE PART DRG		1
3	MECH-400	TOP CAP ASSY	MECHANICAL-GATE-TOP-CAP	SEE PART DRG		1
4	MECH-500	SWING ARM ASSY	MECHANICAL-GATE-SWING-ARM	SEE PART DRG		1
5	MECH-600	MECHANISM	MECHANICAL-GATE-MECHANISM	SEE PART DRG		1
6	MECH-700	TORQUE SPRING	MECHANICAL-GATE-TORQUE-SPRING	WIRE DIA 0.14		1

REVISIONS				
ZONE	REV	DESCRIPTION	DATE	ECN
	01	INITIAL RELEASE	--/03	DG

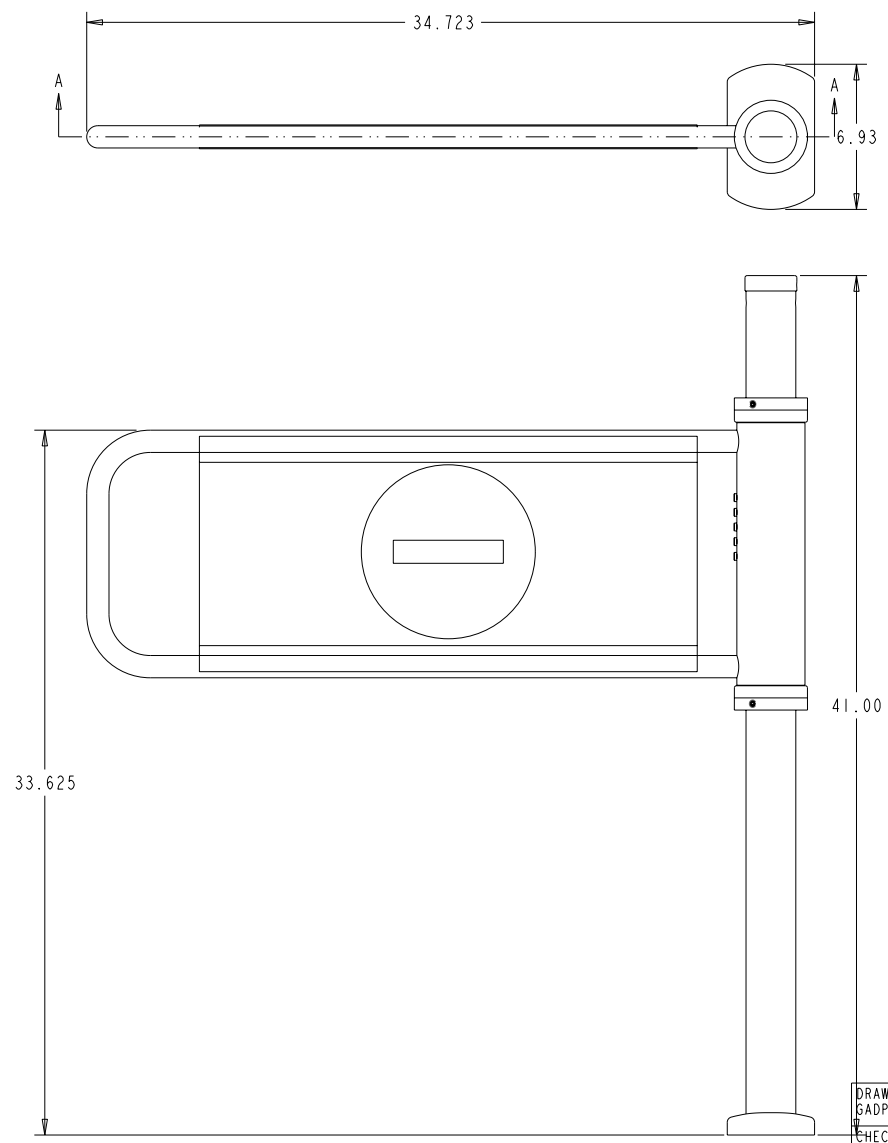


VIEW SHOWN WITHOUT POST AND INNER SLEEVE

STANDARD TOLERANCES UNLESS SPECIFIED	DRAWN GADP	DATE
x.x ±0.020		15-Oct-03
x.xx ±0.010	CHECKED	DATE
x.xxx ±0.005	GUENTER	
HOLES ±0.003	APPROVED	DATE
ANGLES ±1/2°	PERRY	
ALL DIMENSIONS SHOWN IN INCHES		

<b>TURNSTILE SECURITY SYSTEMS INC</b> 245, Matheson Blvd. E. Mississauga, Ontario, L4Z 3C9 CANADA TEL: (905) 890-2222 FAX: (905) 890-3786		PART NO.: MECH-100	
		CAD FILE: MECHANICAL-GATE-MAIN-ASSY.DRW	
		MODEL TYPE: MECHANICAL	
		TITLE: MECHANICAL GATE MAIN ASSY	
		PART/ASSY NAME: MECHANICAL-GATE-MAIN-ASSY	
		SIZE: A2	REV: 0
		MATERIAL: SEE PART DRG	SHEET 1 OF 4
		SCALE: 0.300	

This Document Contains Proprietary Information  
 and is the property of TURNSTILE SECURITY  
 SYSTEMS INC. and shall not be reproduced,  
 copied, or used as a basis for the manufacture  
 of equipment without written permission.



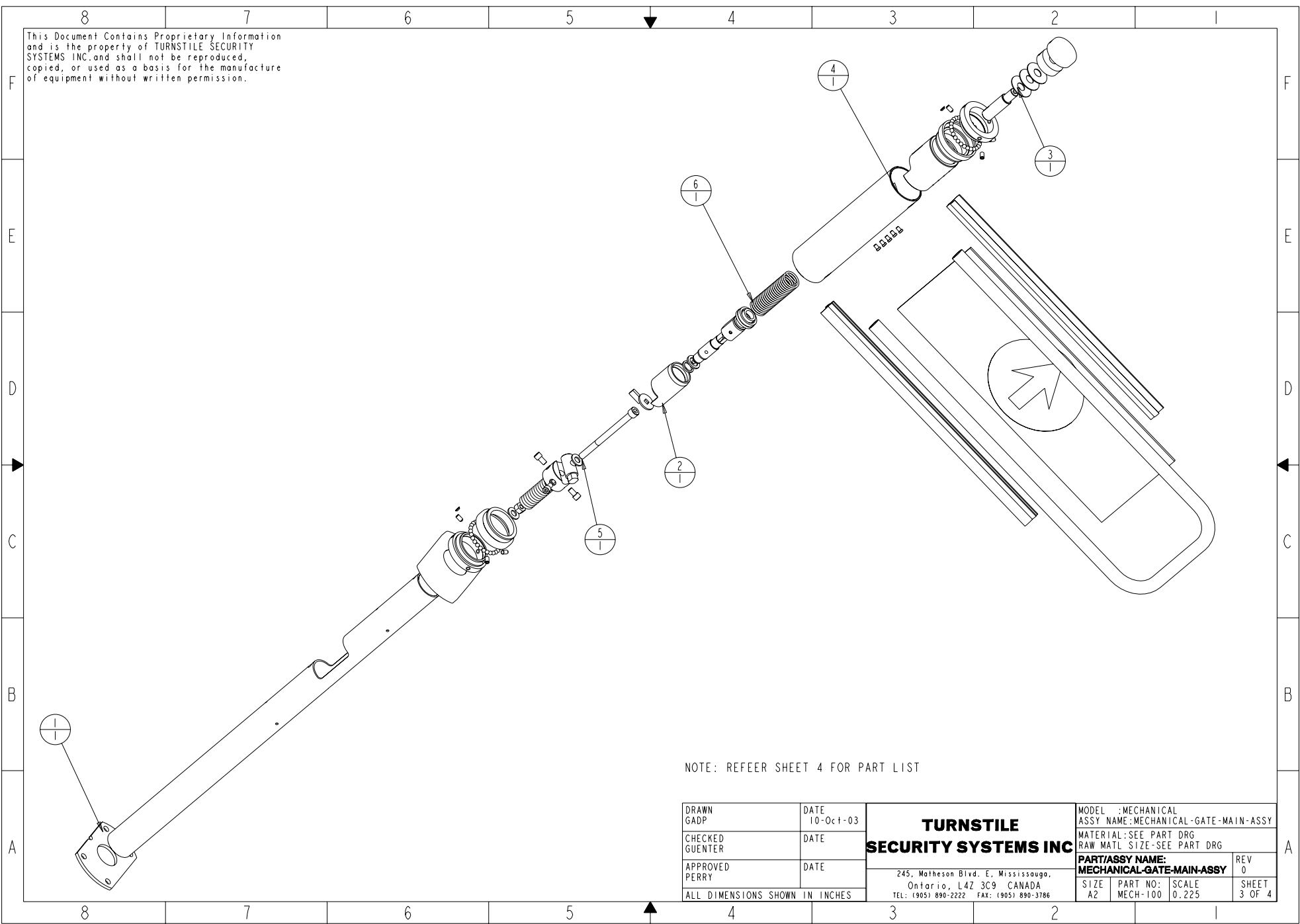
SECTION A-A

DRAWN GADP	DATE 15-Oct-03
CHECKED GUENTER	DATE
APPROVED PERRY	DATE
ALL DIMENSIONS SHOWN IN INCHES	

**TURNSTILE  
 SECURITY SYSTEMS INC**  
 245, Matheson Blvd. E, Mississauga,  
 Ontario, L4Z 3C9 CANADA  
 TEL: (905) 890-2222 FAX: (905) 890-3786

MODEL : MECHANICAL ASSY NAME: MECHANICAL-GATE-MAIN-ASSY			
MATERIAL: SEE PART DRG RAW MATL SIZE-SEE PART DRG			
<b>PART/ASSY NAME:</b> MECHANICAL-GATE-MAIN-ASSY			REV 0
SIZE A2	PART NO: MECH-100	SCALE 0.250	SHEET 2 OF 4

This Document Contains Proprietary Information and is the property of TURNSTILE SECURITY SYSTEMS INC. and shall not be reproduced, copied, or used as a basis for the manufacture of equipment without written permission.



NOTE: REFER SHEET 4 FOR PART LIST

DRAWN GADP	DATE 10-Oct-03	<b>TURNSTILE SECURITY SYSTEMS INC</b>	MODEL : MECHANICAL ASSY NAME: MECHANICAL-GATE-MAIN-ASSY				
CHECKED GUENTER	DATE		MATERIAL: SEE PART DRG RAW MATL SIZE-SEE PART DRG				
APPROVED PERRY	DATE		<b>PART/ASSY NAME: MECHANICAL-GATE-MAIN-ASSY</b>				
ALL DIMENSIONS SHOWN IN INCHES		245, Matheson Blvd. E, Mississauga, Ontario, L4Z 3C9 CANADA TEL: (905) 890-2222 FAX: (905) 890-3786	SIZE A2	PART NO: MECH-100	SCALE 0.225	REV 0	SHEET 3 OF 4

This Document Contains Proprietary Information and is the property of TURNSTILE SECURITY SYSTEMS INC. and shall not be reproduced, copied, or used as a basis for the manufacture of equipment without written permission.

### PARTS LIST

ITEM	PART NO.	DESCRIPTION	MODEL NAME	TYPE	RAW MATERIAL SIZE	VENDOR INFO	QTY
1	MECH-200	POST ASSY	MECHANICAL-GATE-POST	ASSEMBLY	SEE PART DRAWINGS	SEE PART DRAWINGS	1
	MECH-201	BASE	MECHANICAL-GATE-BASE	PART	0.265 THK	LASER CUT	1
	MECH-202	POST	MECHANICAL-GATE-POST	PART	2.375 X 0.12 WALL DOM	FOR PLATING	1
	MECH-203	BASE COVER	MECHANICAL-GATE-BASE-COVER	PART	16 GA	FOR PLATING	1
	MECH-204	KEY	MECHANICAL-GATE-KEY	PART	5/16 IN SQUARE	STANDARD	1
2	MECH-300	SHOCK ASSY	MECHANICAL-GATE-SHOCK	ASSEMBLY	SEE PART DRG	SEE COMPONENT DRG	1
	MECH-301	SHOCK BODY	MECHANICAL-GATE-SHOCK-BODY	PART	DIA 2-1/8, 2-1/4	FOR CNC MACHINING	1
	MECH-302	SHAFT- ASSY	MECHANICAL-GATE-SHAFT-ASSY	ASSEMBLY	SEE COMPONENT DRG	SEE COMPONENT DRG	1
	MECH-303	SHOCK CAP	MECHANICAL-GATE-SHOCK-CAP	PART	-	-	1
	MECH-304	SHOCK FINGER ASSY	MECHANICAL-GATE-SHOCK-FINGER	ASSEMBLY	SEE PART DWG	FOR PLATING	1
	MECH-305	QUAD RING 4211	MECHANICAL-GATE-O-RING	PART	NO:QR4211	N/A	2
	MECH-306	NYLON WASHER	MECHANICAL-GATE-NYLON-WASHER	PART	-	-	2
	MECH-400	TOP CAP ASSY	MECHANICAL-GATE-TOP-CAP	ASSEMBLY	SEE PART DRG	SEE PART DRG	1
3	MECH-401	TOP SHAFT	MECHANICAL-GATE-TOP-SHAFT	PART	DIA 15/16IN CR SOLID BAR	-	1
	MECH-402	681-302-SPAENAU AM-501815	MECHANICAL-GATE-PLATE-SPRING	PART	50MM-OD X 18.4MM-ID X 1.5MM THK	681-302-SPAENAU AM-501815	3
	ELEC-403	TOP CAP BODY	MECHANICAL-GATE-TOP-CAP-BODY	PART	2-1/8" SOLID RD	FOR PLATING	1
	MECH-404	TOP CAP	MECHANICAL-GATE-TOP-CAP	PART	DIA 2-1/2" SOLID RD	FOR PLATING	1
4	MECH-500	SWING ARM ASSY	MECHANICAL-GATE-SWING-ARM	ASSEMBLY	SEE PART DRG	SEE PART DRG	1
	MECH-501	OUTER SLEEVE	MECHANICAL-GATE-OUTER-SLEEVE	PART	3-1/4 X 1/8 WALL DOM	FOR PLATING	1
	MECH-502	SWING ARM	MECHANICAL-GATE-SWING-ARM	PART	1-1/16 CRW 16 GA	-	1
	MECH-503	GATE PROFILE	MECHANICAL-GATE-PROFILE	PART	STANDARD	STANDARD	2
	MECH-504	SIGN PLATE	MECHANICAL-GATE-SIGN-PLATE	PART	3/16 THK	FOR SCREEN PRINTING	1
	MECH-505	INNER SLEEVE	MECHANICAL-GATE-INNER-SLEEVE	PART	3 IN DOM	-	1
	MECH-506	BEARING ASSY	MECHANICAL-GATE-BEARING-ASSY	ASSEMBLY	SEE PART DRG	SEE PART DRG	2
	MECH-507	STANDARD	SCREW	PART	3/816 X 5/8	FOR PLATING	5
5	MECH-600	MECHANISM	MECHANICAL-GATE-MECHANISM	ASSEMBLY	SEE PART DRG	SEE PART DRG	1
	MECH-601	BOLT	MECHANICAL-GATE-BOLT	PART	1/2-13 X 6.5 IN ALLEN CAP HEAD	-	1
	MECH-602	STANDARD	MECHANICAL-GATE-WASHER	PART	1.01 DIA X 0.1 THK	FOR PLATING	2
	MECH-603	PANIC FINGER	MECHANICAL-GATE-PANIC-FINGER	PART	DIA 1 IN CR	-	1
	MECH-604	MECHANISM BODY	MECHANICAL-GATE-MECHANISM-BODY	PART	DIA 2-1/8" CR	FOR PLATING & HEAT TREATING	1
	MECH-605	STANDARD	MECHANICAL-GATE-SPRING-CLOSE	PART	W/DIA 1.04	FOR PLATING	1
	MECH-606	STANDARD	MECHANICAL-GATE-NUT	PART	3/8-16 UFC	FOR PLATING	1
	MECH-507	STANDARD	ALLEN-HEAD-SCREW	PART	3/816 X 5/8	FOR PLATING	4
6	MECH-700	TORQUE SPRING	MECHANICAL-GATE-TORQUE-SPRING	PART	WIRE DIA 0.14	STANDARD	1

DRAWN GADP	DATE 10-Oct-03
CHECKED GUENTER	DATE
APPROVED PERRY	DATE
ALL DIMENSIONS SHOWN IN INCHES	

**TURNSTILE  
SECURITY SYSTEMS INC**

245, Matheson Blvd. E, Mississauga,  
Ontario, L4Z 3C9 CANADA  
TEL: (905) 890-2222 FAX: (905) 890-3786

MODEL : MECHANICAL ASSY NAME : MECHANICAL-GATE-MAIN-ASSY			
MATERIAL : SEE PART DRG RAW MATL SIZE-SEE PART DRG			
<b>PART/ASSY NAME:</b> <b>MECHANICAL-GATE-MAIN-ASSY</b>			REV 0
SIZE A2	PART NO: MECH-100	SCALE 0.300	SHEET 4 OF 4