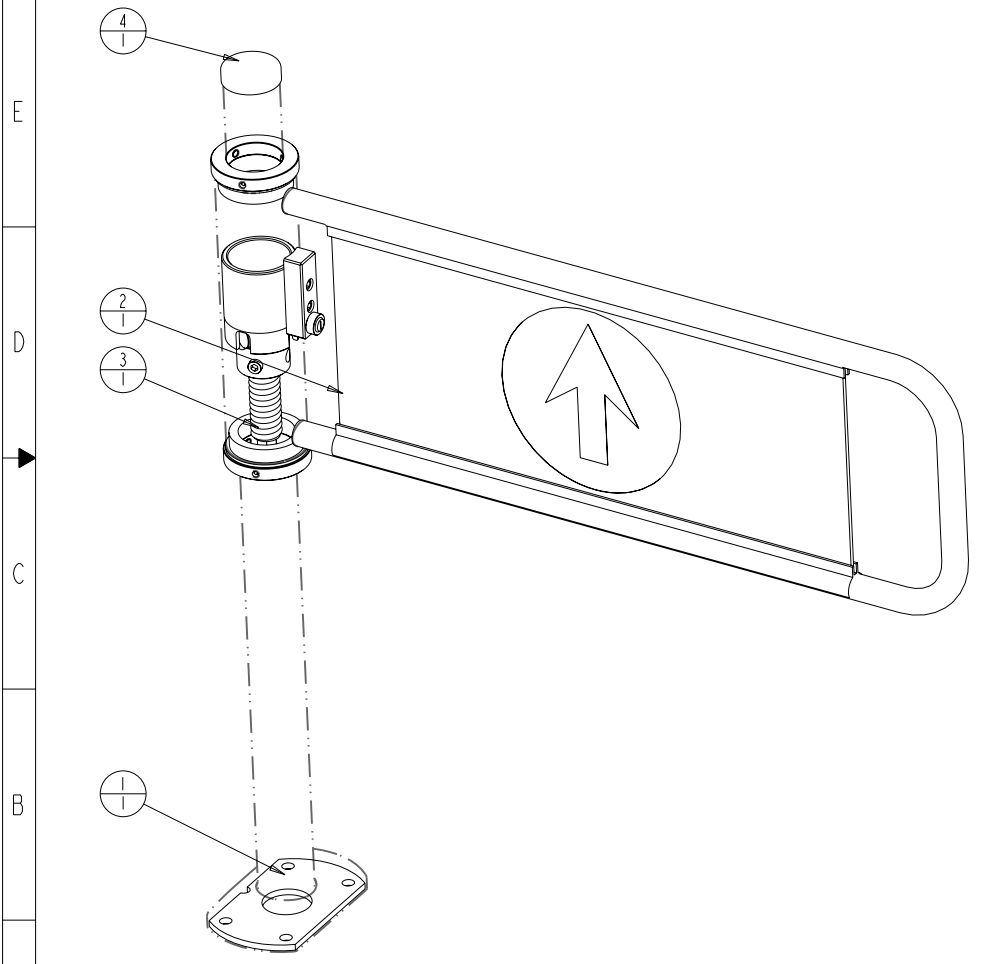


This Document Contains Proprietary Information and is the property of TURNSTYLE SECURITY SYSTEMS INC., and shall not be reproduced, copied, or used as a basis for the manufacture of equipment without written permission.

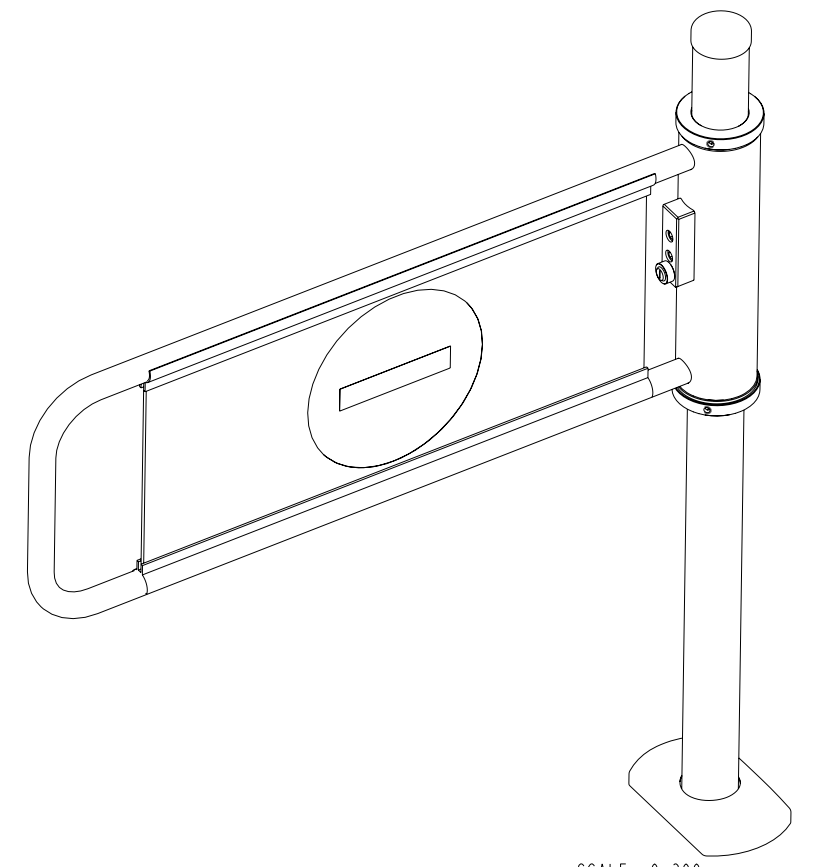
PARTS LIST

ITEM	PART NO.	DESCRIPTION	MODEL_NAME	RAW MATERIAL SIZE	VENDOR INFO	QTY
1	LOCK-200	POST ASSY	LOCK-GATE-POST	SEE PART DRAWINGS		1
2	LOCK-300	SWING ARM ASSY	LOCK-GATE-SWING-ARM-ASSY	SEE PART DRG		1
3	LOCK-400	MECHANISM	LOCK-GATE-MECHANISM	SEE PART DRG		1
4	LOCK-XXX	TOP CAP	LOCK-GATE-TOP-CAP	16 GA		1

REVISIONS				
ZONE	REV	DESCRIPTION	DATE	ECN
	01	INITIAL RELEASE	--/03	DG



SCALE 0.300
VIEW SHOWN WITH BASE COVER,
POST AND OUTER SLEEVE, HIDDEN



SCALE 0.300

STANDARD TOLERANCES UNLESS SPECIFIED	DRAWN GADP	DATE
x .x ±0.020	CHECKED GUENTER	DATE
x .xx ±0.010	APPROVED PERRY	DATE
x .xxx ±0.005		
HOLES ±0.003		
ANGLES ±1/2°		

21-Oct-03	
ALL DIMENSIONS SHOWN IN INCHES	

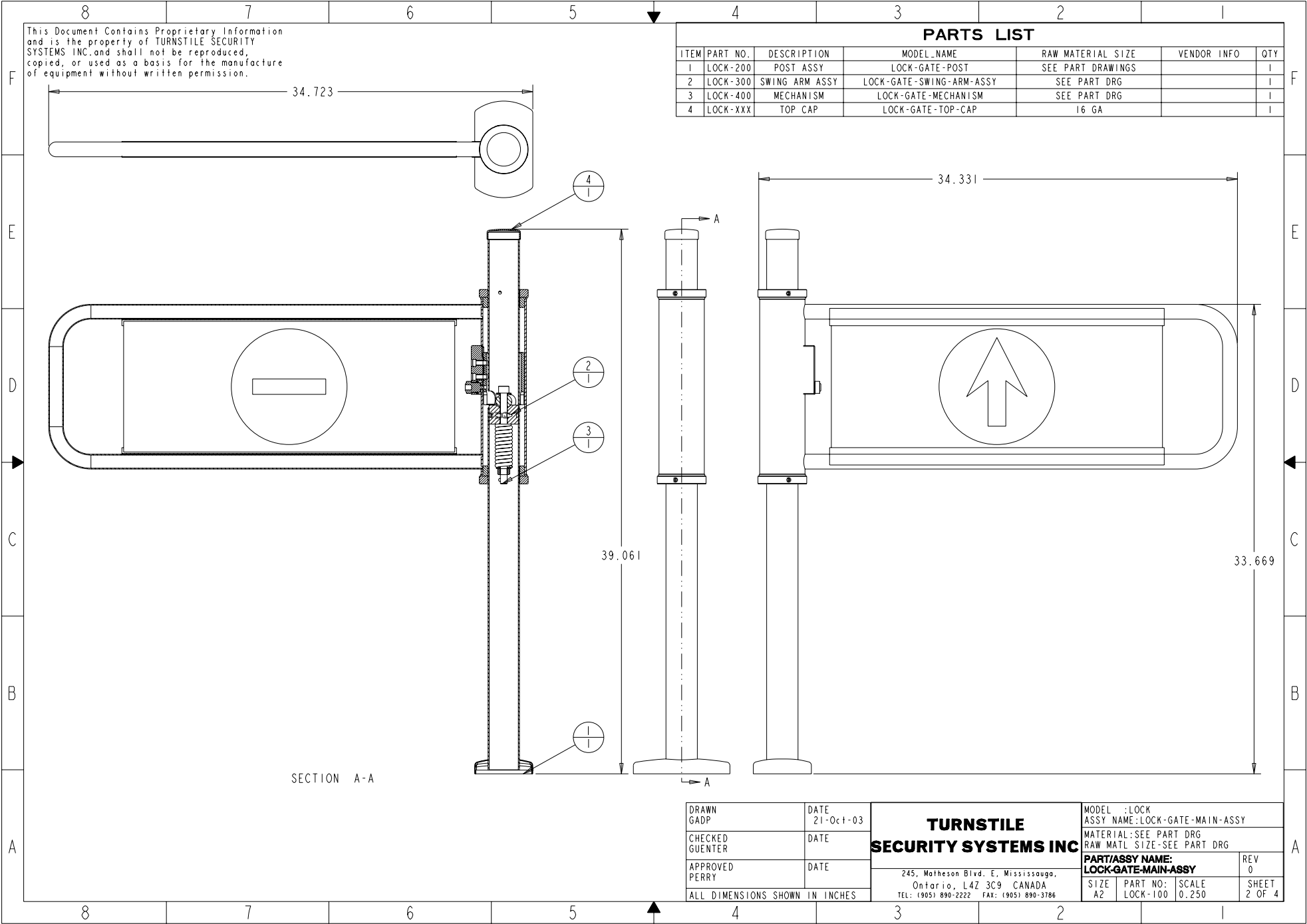
TURNSTILE SECURITY SYSTEMS INC
245, Matheson Blvd. E, Mississauga, Ontario, L4Z 3C9 CANADA
TEL: (905) 890-2222 FAX: (905) 890-3786

PART NO.: LOCK-100		CAD FILE: LOCK-GATE-MAIN-ASSY.DRW	
MODEL TYPE: LOCK		TITLE: LOCK GATE MAIN ASSY	
PART/ASSY NAME: LOCK-GATE-MAIN-ASSY		REV: 0	SHEET: 1 OF 4
SIZE: A2	MATERIAL: SEE PART DRG	SCALE: 0.100	

This Document Contains Proprietary Information and is the property of TURNSTILE SECURITY SYSTEMS INC. and shall not be reproduced, copied, or used as a basis for the manufacture of equipment without written permission.

PARTS LIST

ITEM	PART NO.	DESCRIPTION	MODEL NAME	RAW MATERIAL SIZE	VENDOR INFO	QTY
1	LOCK-200	POST ASSY	LOCK-GATE-POST	SEE PART DRAWINGS		1
2	LOCK-300	SWING ARM ASSY	LOCK-GATE-SWING-ARM-ASSY	SEE PART DRG		1
3	LOCK-400	MECHANISM	LOCK-GATE-MECHANISM	SEE PART DRG		1
4	LOCK-XXX	TOP CAP	LOCK-GATE-TOP-CAP	16 GA		1



SECTION A-A

DRAWN GADP	DATE 21-Oct-03
CHECKED GUENTER	DATE
APPROVED PERRY	DATE
ALL DIMENSIONS SHOWN IN INCHES	

**TURNSTILE
SECURITY SYSTEMS INC**

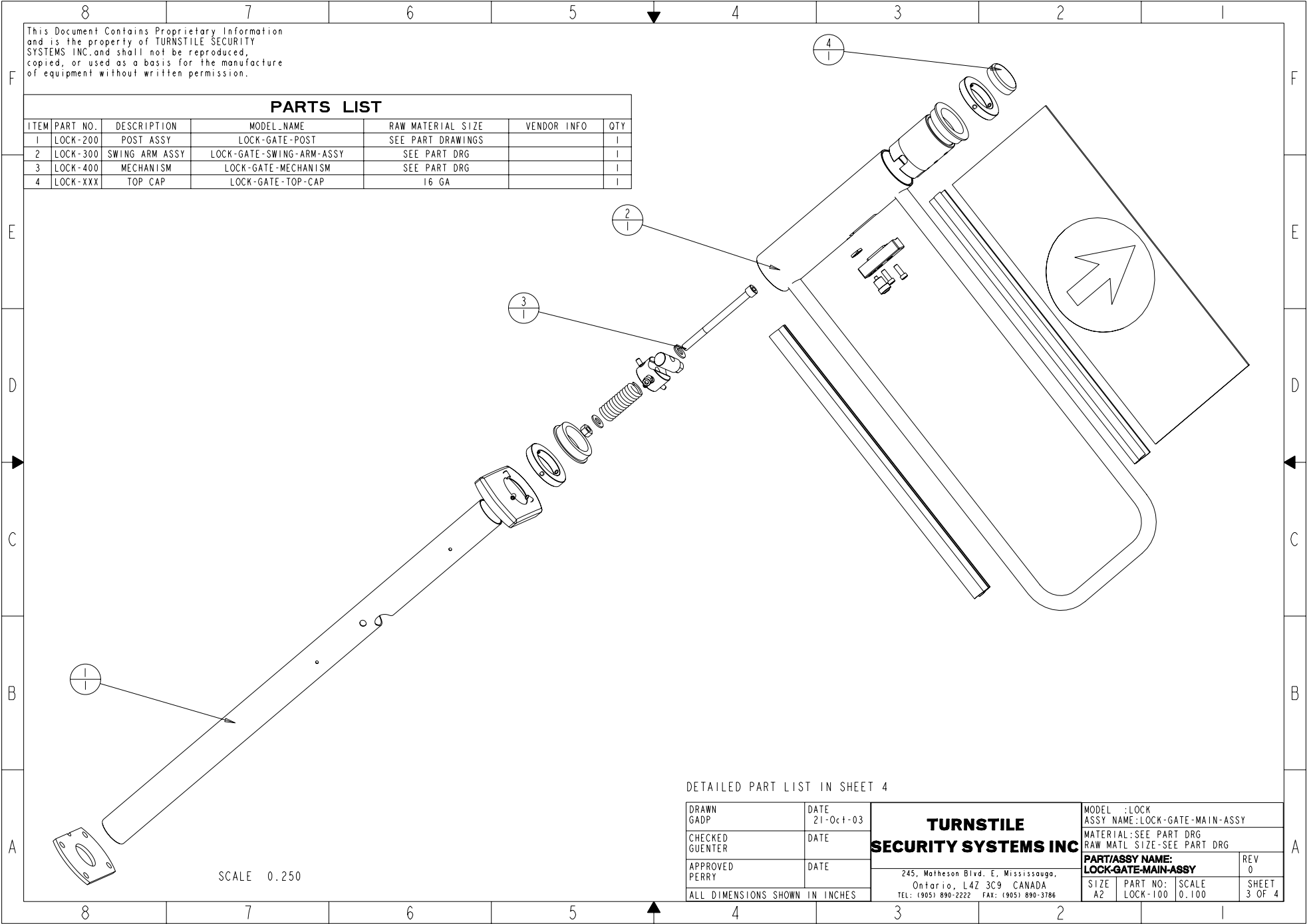
245, Matheson Blvd. E, Mississauga,
Ontario, L4Z 3C9 CANADA
TEL: (905) 890-2222 FAX: (905) 890-3786

MODEL : LOCK ASSY NAME: LOCK-GATE-MAIN-ASSY			
MATERIAL: SEE PART DRG RAW MATL SIZE-SEE PART DRG			
PART/ASSY NAME: LOCK-GATE-MAIN-ASSY			REV 0
SIZE A2	PART NO: LOCK-100	SCALE 0.250	SHEET 2 OF 4

This Document Contains Proprietary Information and is the property of TURNSTILE SECURITY SYSTEMS INC. and shall not be reproduced, copied, or used as a basis for the manufacture of equipment without written permission.

PARTS LIST

ITEM	PART NO.	DESCRIPTION	MODEL NAME	RAW MATERIAL SIZE	VENDOR INFO	QTY
1	LOCK-200	POST ASSY	LOCK-GATE-POST	SEE PART DRAWINGS		1
2	LOCK-300	SWING ARM ASSY	LOCK-GATE-SWING-ARM-ASSY	SEE PART DRG		1
3	LOCK-400	MECHANISM	LOCK-GATE-MECHANISM	SEE PART DRG		1
4	LOCK-XXX	TOP CAP	LOCK-GATE-TOP-CAP	16 GA		1



SCALE 0.250

DETAILED PART LIST IN SHEET 4

DRAWN GADP	DATE 21-Oct-03	TURNSTILE SECURITY SYSTEMS INC	MODEL : LOCK ASSY NAME: LOCK-GATE-MAIN-ASSY	
CHECKED GUENTER	DATE		MATERIAL: SEE PART DRG RAW MATL SIZE-SEE PART DRG	
APPROVED PERRY	DATE		PART/ASSY NAME: LOCK-GATE-MAIN-ASSY	
ALL DIMENSIONS SHOWN IN INCHES		245, Matheson Blvd. E, Mississauga, Ontario, L4Z 3C9 CANADA TEL: (905) 890-2222 FAX: (905) 890-3786		REV 0
		SIZE A2	PART NO: LOCK-100	SCALE 0.100
				SHEET 3 OF 4

This Document Contains Proprietary Information and is the property of TURNSTILE SECURITY SYSTEMS INC. and shall not be reproduced, copied, or used as a basis for the manufacture of equipment without written permission.

PARTS LIST

ITEM	PART NO.	DESCRIPTION	MODEL NAME	TYPE	RAW MATERIAL SIZE	VENDOR INFO	QTY
1	LOCK-200	POST ASSY	LOCK-GATE-POST	ASSEMBLY	SEE PART DRAWINGS	SEE PART DRAWINGS	1
	LOCK-201	BASE	LOCK-GATE-BASE	PART	0.265 THK	LASER CUT	1
	LOCK-202	POST	LOCK-GATE-POST	PART	2.375 X 0.12 WALL DOM	FOR FORMING & PLATING	1
	LOCK-203	BASE COVER	LOCK-GATE-BASE-COVER	PART	16 GA	FOR PLATING	1
2	LOCK-300	SWING ARM ASSY	LOCK-GATE-SWING-ARM-ASSY	ASSEMBLY	SEE PART DRG	-	1
	LOCK-301	OUTER SLEEVE	LOCK-GATE-OUTER-SLEEVE	PART	3-1/4 X 1/8 WALL DOM	FOR PLATING	1
	LOCK-302	SWING ARM	LOCK-GATE-SWING-ARM	PART	1-1/16 CRW 16 GA	-	1
	LOCK-303	GATE PROFILE	LOCK-GATE-PROFILE	PART	STANDARD	STANDARD	2
	LOCK-304	SIGN PLATE	LOCK-GATE-SIGN-PLATE	PART	3/16 THK	FOR SCREEN PRINTING	1
	LOCK-305	HYLATRON GSM	LOCK-GATE-HYLATRON	PART	3-1/4IN OD X 2IN ID	-	2
	LOCK-306	COLLAR	LOCK-GATE-COLLAR	PART	DIA 2-1/4 IN	FOR PLATING	2
	LOCK-307	LOCK ASSY	LOCK-GATE-LOCK-ASSY	ASSEMBLY	SEE PART DRG	SEE PART DRG	1
	LOCK-308	INNER SLEEVE	LOCK-GATE-INNER-SLEEVE	PART	DIA 3 IN X1/4WALL DOM	FOR HARDENING & PLATING	1
	LOCK-309	CONE SCREW	CONE-SET-SCREW	PART	5/16-18 X 5/8	-	6
	3	LOCK-400	MECHANISM	LOCK-GATE-MECHANISM	ASSEMBLY	SEE PART DRG	SEE PART DRG
LOCK-401		BOLT	LOCK-GATE-BOLT	PART	1/2-13 X 6.5 IN ALLEN CAP HEAD	-	1
LOCK-402		STANDARD	LOCK-GATE-WASHER	PART	1.07 DIA X 0.1 THK	FOR PLATING	2
LOCK-403		PANIC FINGER	LOCK-GATE-PANIC-FINGER	PART	DIA 1 IN CR	-	1
LOCK-404		MECHANISM BODY	LOCK-GATE-MECHANISM-BODY	PART	DIA 2-1/8" CR	FOR PLATING & HEAT TREATING	1
LOCK-405		STANDARD	LOCK-GATE-SPRING-CLOSE	PART	W/DIA 1.04	FOR PLATING	1
LOCK-406		STANDARD	LOCK-GATE-NUT	PART	1/2-13 UNC	FOR PLATING	1
LOCK-407		STANDARD	ALLEN-HEAD-SCREW	PART	3/816 X 5/8	FOR PLATING	2
4	LOCK-XXX	TOP CAP	LOCK-GATE-TOP-CAP	PART	16 GA	FOR PLATING AND FORMING	1

DRAWN GADP	DATE 21-Oct-03	TURNSTILE SECURITY SYSTEMS INC	MODEL : LOCK ASSY NAME: LOCK-GATE-MAIN-ASSY		
CHECKED GUENTER	DATE		MATERIAL: SEE PART DRG RAW MATL SIZE-SEE PART DRG		
APPROVED PERRY	DATE		PART/ASSY NAME: LOCK-GATE-MAIN-ASSY		
ALL DIMENSIONS SHOWN IN INCHES		245, Matheson Blvd. E, Mississauga, Ontario, L4Z 3C9 CANADA TEL: (905) 890-2222 FAX: (905) 890-3786		REV 0	
		SIZE A2	PART NO: LOCK-100	SCALE 0.100	SHEET 4 OF 4