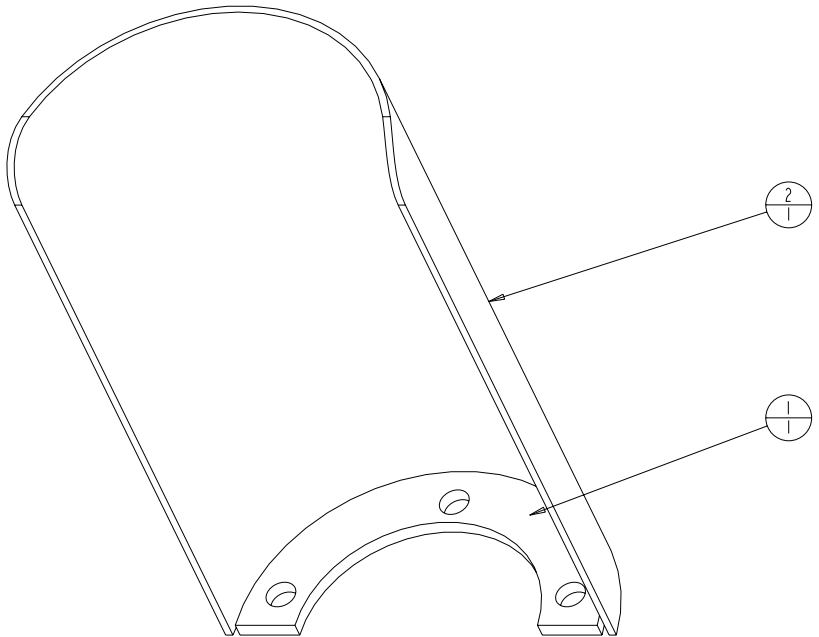


This Document Contains Proprietary Information and is the property of TURNSTYLE SECURITY SYSTEMS INC., and shall not be reproduced, copied, or used as a basis for the manufacture of equipment without written permission.

PARTS LIST

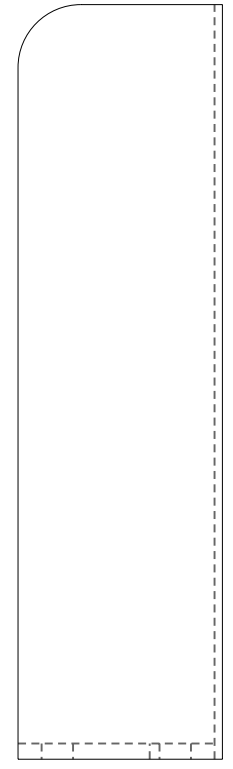
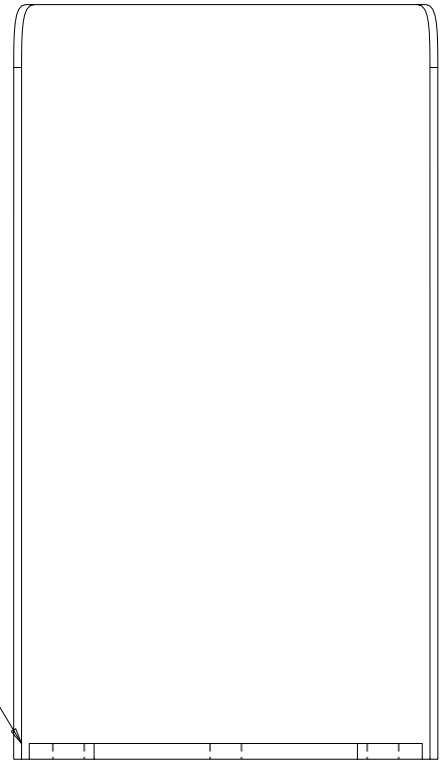
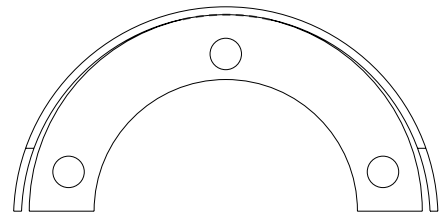
PARTS LIST							REVISIONS				
ITEM	PART NO.	DESCRIPTION	MODEL NAME	RAW MATERIAL SIZE	VENDOR INFO	QTY	ZONE	REV	DESCRIPTION	DATE	ECN
1	COPR-101	HORSE SHOE	CORNER-PROTECTOR-HORSE-SHOE	6- $\frac{1}{4}$ X 4-3/16X 0.25 THK		1		01	INITIAL RELEASE	--/03	DG
2	COPR-102	ARC PIPE	CORNER-PROTECTOR-ARC-PIPE	6-3/4 (IN OD) X $\frac{1}{4}$ THK		1					



STANDARD TOLERANCES UNLESS SPECIFIED	DRAWN GADP	DATE
x.x ±0.020		18-Nov-03
x.xx ±0.010	CHECKED	DATE
x.xxx ±0.005	GUENTER	
HOLES ±0.003	APPROVED	DATE
ANGLES ±1/2°	PERRY	
	ALL DIMENSIONS SHOWN IN INCHES	

TURNSTYLE SECURITY SYSTEMS INC		PART NO.: COPR-100	
		CAD FILE: CORNER-PROTECTOR-ASSY.DRW	
245, Matheson Blvd. E. Mississauga, Ontario, L4Z 3C9 CANADA TEL: (905) 890-2222 FAX: (905) 890-3786		MODEL TYPE: CORNER PROTECTOR	
		TITLE: CORNER PROTECTOR ASSY	
SIZE: A2		PART/ASSY NAME: CORNER-PROTECTOR-ASSY	
		SCALE: SEE PART DRG. 0.750	
		REV: 0	SHEET 1 OF 4

This Document Contains Proprietary Information
and is the property of TURNSTILE SECURITY
SYSTEMS INC. and shall not be reproduced,
copied, or used as a basis for the manufacture
of equipment without written permission.



2 PLACES $2.5 \sqrt{c}$.25-2.5

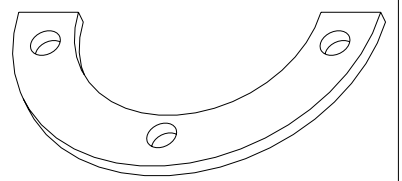
DRAWN GADP	DATE 18-Nov-03
CHECKED GUENTER	DATE
APPROVED PERRY	DATE
ALL DIMENSIONS SHOWN IN INCHES	

**TURNSTILE
SECURITY SYSTEMS INC**

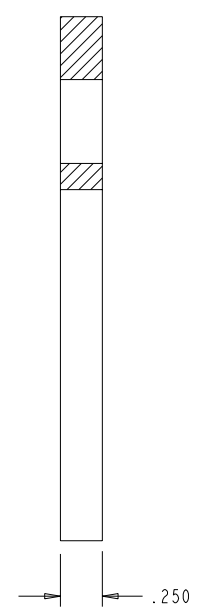
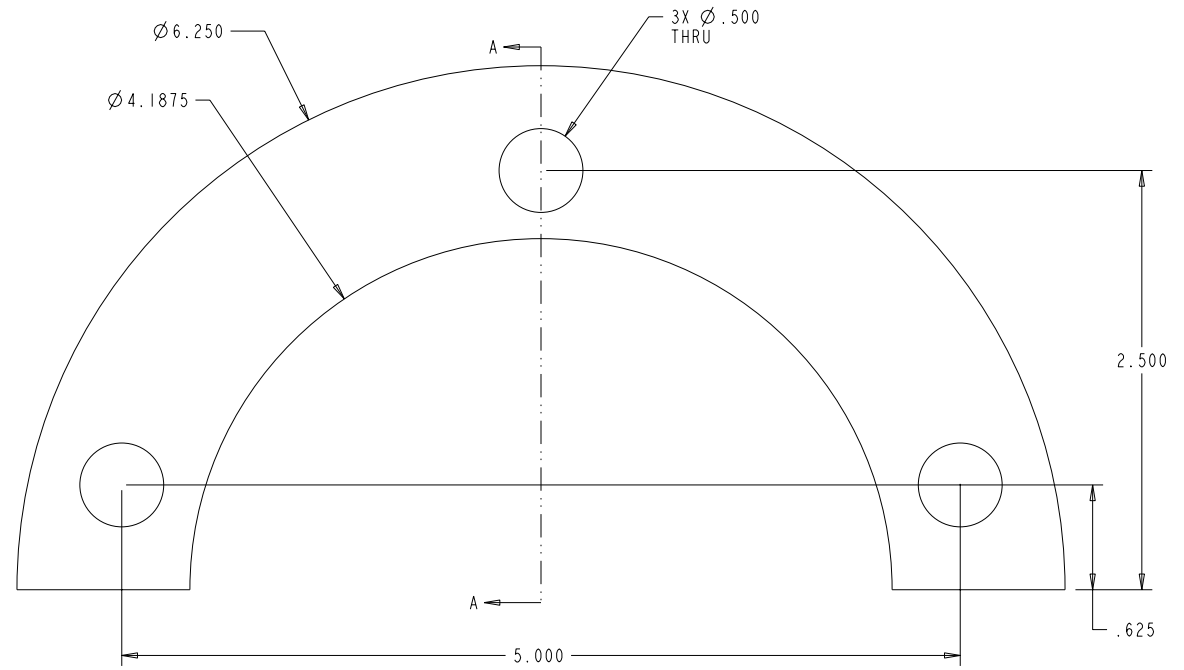
245, Matheson Blvd. E, Mississauga,
Ontario, L4Z 3C9 CANADA
TEL: (905) 890-2222 FAX: (905) 890-3786

MODEL : CORNER PROTECTOR		ASSY NAME: CORNER-PROTECTOR-ASSY	
MATERIAL: SEE PART DRG		RAW MATL SIZE-SEE PART DRG	
PART/ASSY NAME: CORNER-PROTECTOR-ASSY			REV 0
SIZE A2	PART NO: COPR-100	SCALE 0.750	SHEET 2 OF 4

This Document Contains Proprietary Information and is the property of TURNSTILE SECURITY SYSTEMS INC. and shall not be reproduced, copied, or used as a basis for the manufacture of equipment without written permission.



SCALE 0.75



SECTION A-A

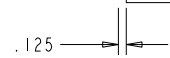
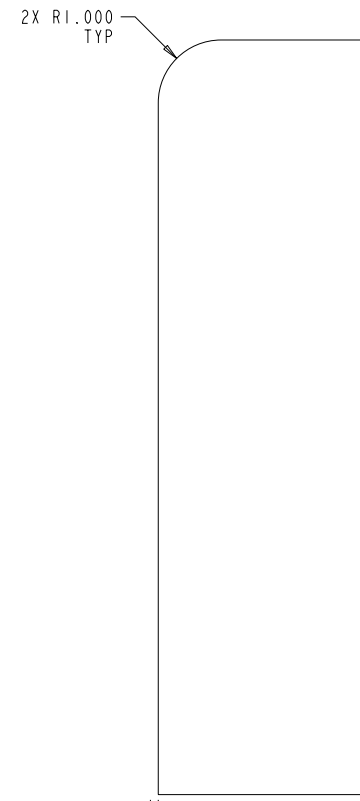
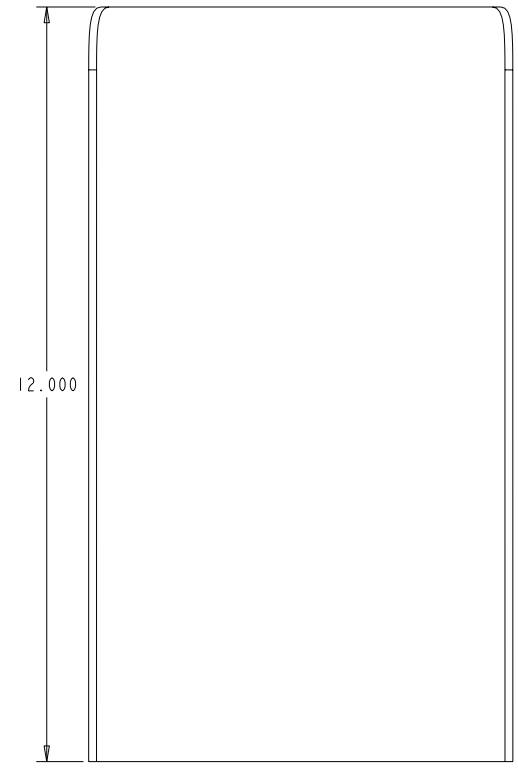
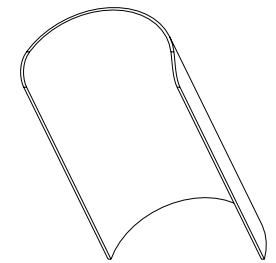
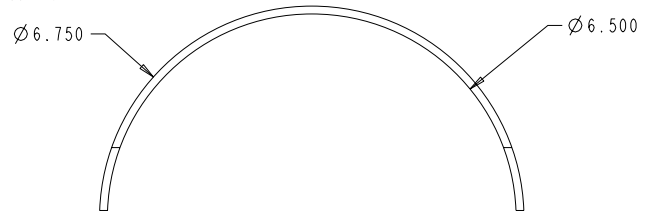
FINISH	MPDNC AFTER WELDING
DRILL_JIG	N/A
WELD_FIXTURE	N/A
VENDOR	FOR PLATING

DRAWN	GADP	DATE	18-Nov-03
CHECKED	GUENTER	DATE	
APPROVED	PERRY	DATE	
ALL DIMENSIONS SHOWN IN INCHES			

TURNSTILE SECURITY SYSTEMS INC
 245, Matheson Blvd. E, Mississauga, Ontario, L4Z 3C9 CANADA
 TEL: (905) 890-2222 FAX: (905) 890-3786

MODEL :CORNER PROTECTOR			
ASSY NAME:CORNER-PROTECTOR-ASSY			
MATERIAL:MILD STEEL-C15			
RAW MATL SIZE-6 X 4-3/16 X 0.25 TH			
PART/ASSY NAME: CORNER-PROTECTOR-HORSE-SHOE			REV 0
SIZE A2	PART NO: COPR-101	SCALE 2.000	SHEET 3 OF 4

This Document Contains Proprietary Information and is the property of TURNSTILE SECURITY SYSTEMS INC. and shall not be reproduced, copied, or used as a basis for the manufacture of equipment without written permission.



FINISH	MPDNC AFTER WELDING
DRILL_JIG	N/A
WELD_FIXTURE	N/A
VENDOR	FOR PLATING IN ASSY

DRAWN GADP	DATE 18-Nov-03
CHECKED GUENTER	DATE
APPROVED PERRY	DATE
ALL DIMENSIONS SHOWN IN INCHES	

TURNSTILE SECURITY SYSTEMS INC
 245, Matheson Blvd. E, Mississauga, Ontario, L4Z 3C9 CANADA
 TEL: (905) 890-2222 FAX: (905) 890-3786

MODEL :CORNER PROTECTOR ASSY NAME:CORNER-PROTECTOR-ASSY			
MATERIAL:MILD STEEL-C15 RAW MATL SIZE-6-3/4 IN(OD) X 1/4 THK			
PART/ASSY NAME: CORNER-PROTECTOR-ARC-PIPE			REV 0
SIZE A2	PART NO: COPR-102	SCALE 0.750	SHEET 4 OF 4