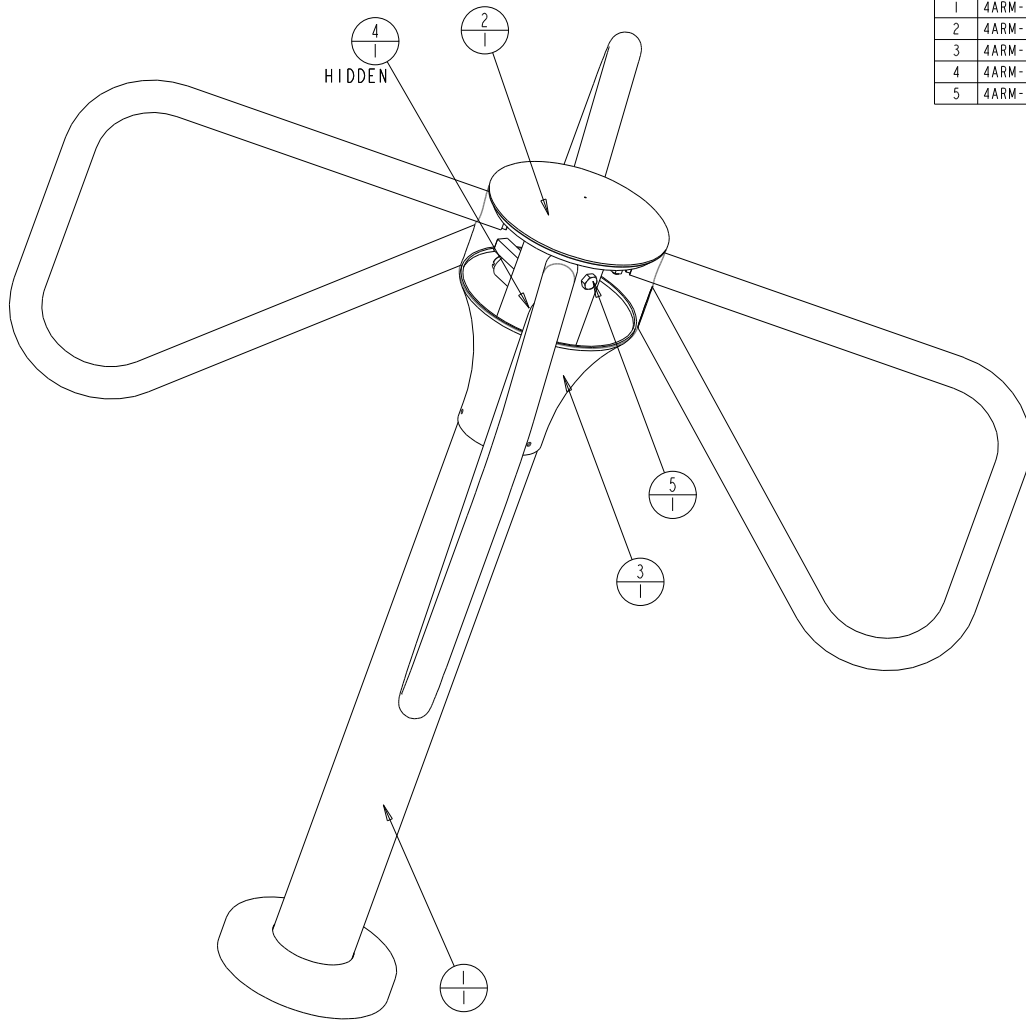


This Document Contains Proprietary Information and is the property of TURNSTYLE SECURITY SYSTEMS INC., and shall not be reproduced, copied, or used as a basis for the manufacture of equipment without written permission.

| REVISIONS |     |                 |       |     |
|-----------|-----|-----------------|-------|-----|
| ZONE      | REV | DESCRIPTION     | DATE  | ECN |
|           | 01  | INITIAL RELEASE | --/03 | DG  |

### PARTS LIST

| ITEM | PART NO. | DESCRIPTION     | MODEL_NAME                | RAW MATERIAL SIZE                | VENDOR INFO | QTY |
|------|----------|-----------------|---------------------------|----------------------------------|-------------|-----|
| 1    | 4ARM-200 | POST ASSY       | 4ARM-GATE-POST-ASSY       | SEE PART DRG                     |             | 1   |
| 2    | 4ARM-200 | SWIVEL ARM ASSY | 4ARM-GATE-SWIVEL-ARM-ASSY | SEE PART DRG                     |             | 1   |
| 3    | 4ARM-XXX | CONE            | 4ARM-GATE-CONE            | 16 GA THK                        |             | 1   |
| 4    | 4ARM-XXX | STANDARD        | 4ARM-GATE-LOCK-NUT        | 1 IN-8 X 5-1/2 WITH NYLON WASHER |             | 1   |
| 5    | 4ARM-XXX | STANDARD        | 4ARM-GATE-POST-BOLT       | HEX HEAD 3/8-24 X 3/4 L          |             | 1   |

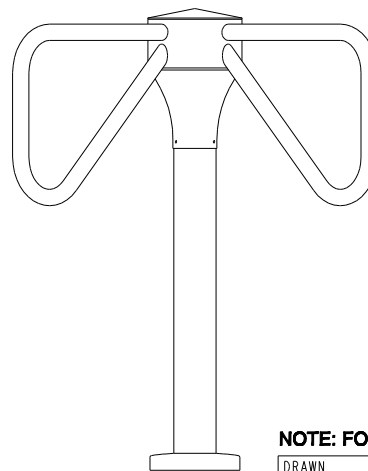
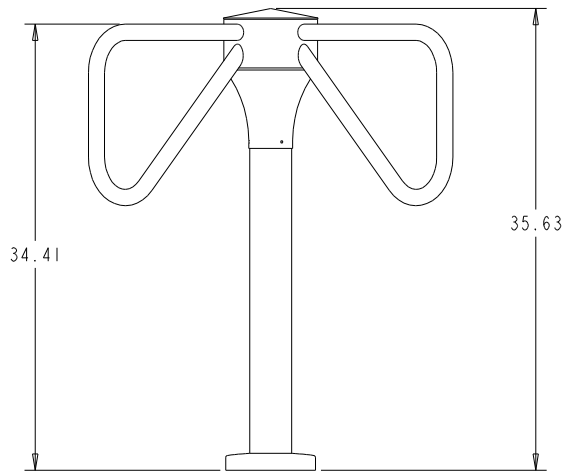
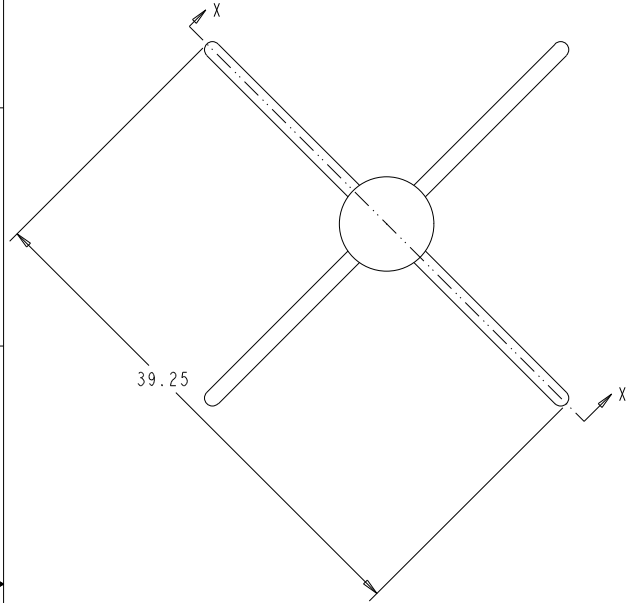


SCALE 0.300  
VIEW SHOWN WITHOUT  
ARM BODY

|  |                                |                   |
|--|--------------------------------|-------------------|
| STANDARD TOLERANCES<br>UNLESS SPECIFIED<br>x.x ±0.020<br>x.xx ±0.010<br>x.xxx ±0.005<br>HOLES ±0.003<br>ANGLES ±1/2° | DRAWN<br>GADP                  | DATE<br>24-Oct-03 |
|  | CHECKED<br>GUENTER             | DATE              |
|  | APPROVED<br>PERRY              | DATE              |
|  | ALL DIMENSIONS SHOWN IN INCHES |                   |

|  |                           |   |                 |
|--|---------------------------|---|-----------------|
| <b>TURNSTYLE SECURITY SYSTEMS INC</b>  |                           | PART NO.: 4ARM-100<br>CAD FILE: 4ARM-GATE-MAIN-ASSY.DRW |                 |
|  |                           | MODEL TYPE:<br>4 ARM                                    |                 |
| 245, Matheson Blvd.E, Mississauga,<br>Ontario, L4Z 3C9 CANADA<br>TEL: (905) 890-2222 FAX: (905) 890-3786 |                           | TITLE<br>4 ARM GATE MAIN ASSY                           |                 |
|  |                           | PART/ASSY NAME:<br>4ARM-GATE-MAIN-ASSY                  | REV<br>0        |
| SIZE<br>A2   | MATERIAL:<br>SEE PART DRG | SCALE<br>0.056  | SHEET<br>1 OF 5 |

This Document Contains Proprietary Information and is the property of TURNSTILE SECURITY SYSTEMS INC. and shall not be reproduced, copied, or used as a basis for the manufacture of equipment without written permission.



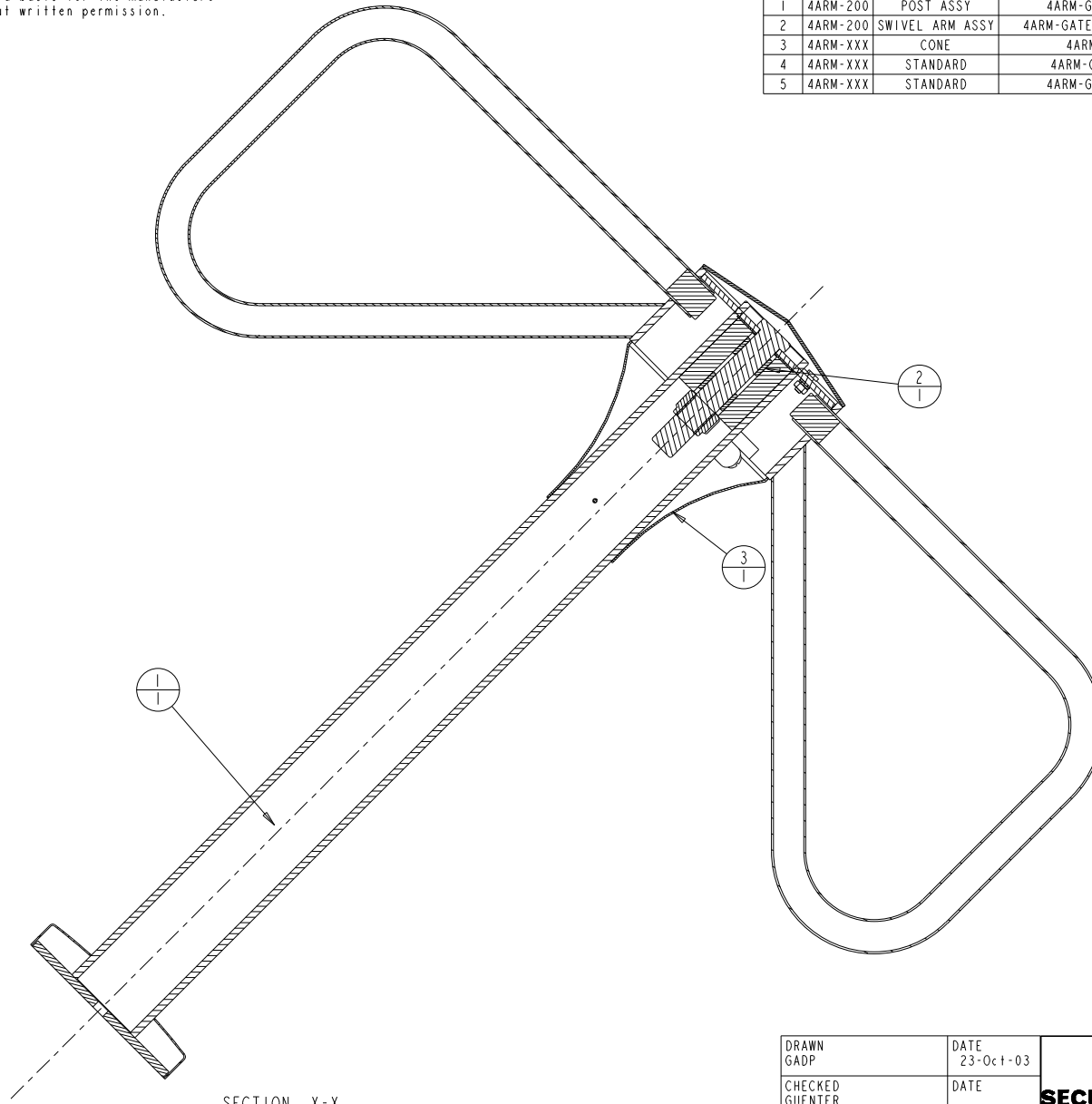
**NOTE: FOR VIEW SECTION X-X SEE SHEET 3**

|                                |                      |   |  |
|--------------------------------|----------------------|---|--|
| DRAWN<br>GADP                  | DATE<br>23-Oct-03    | <b>TURNSTILE<br/>SECURITY SYSTEMS INC</b>   | MODEL : 4 ARM  |
| CHECKED<br>GUENTER             | DATE                 |   | ASSY NAME: 4ARM-GATE-MAIN-ASSY                       |
| APPROVED<br>PERRY              | DATE                 |   | MATERIAL: SEE PART DRG<br>RAW MATL SIZE-SEE PART DRG |
| ALL DIMENSIONS SHOWN IN INCHES |                      | 245, Matheson Blvd. E, Mississauga,<br>Ontario, L4Z 3C9 CANADA<br>TEL: (905) 890-2222 FAX: (905) 890-3786 | <b>PART/ASSY NAME:</b><br><b>4ARM-GATE-MAIN-ASSY</b> |
| SIZE<br>A2                     | PART NO:<br>4ARM-100 | SCALE<br>0.150  | REV<br>0   |
|                                |                      |   | SHEET<br>2 OF 5                                      |

This Document Contains Proprietary Information and is the property of TURNSTILE SECURITY SYSTEMS INC. and shall not be reproduced, copied, or used as a basis for the manufacture of equipment without written permission.

### PARTS LIST

| ITEM | PART NO. | DESCRIPTION     | MODEL NAME                | RAW MATERIAL SIZE                | VENDOR INFO | QTY |
|------|----------|-----------------|---------------------------|----------------------------------|-------------|-----|
| 1    | 4ARM-200 | POST ASSY       | 4ARM-GATE-POST-ASSY       | SEE PART DRG                     |             | 1   |
| 2    | 4ARM-200 | SWIVEL ARM ASSY | 4ARM-GATE-SWIVEL-ARM-ASSY | SEE PART DRG                     |             | 1   |
| 3    | 4ARM-XXX | CONE            | 4ARM-GATE-CONE            | 16 GA THK                        |             | 1   |
| 4    | 4ARM-XXX | STANDARD        | 4ARM-GATE-LOCK-NUT        | 1 IN-8 X 5-1/2 WITH NYLON WASHER |             | 1   |
| 5    | 4ARM-XXX | STANDARD        | 4ARM-GATE-POST-BOLT       | HEX HEAD 3/8-24 X 3/4 L          |             | 1   |



SECTION X-X

|                                |                   |
|--------------------------------|-------------------|
| DRAWN<br>GADP                  | DATE<br>23-Oct-03 |
| CHECKED<br>GUENTER             | DATE              |
| APPROVED<br>PERRY              | DATE              |
| ALL DIMENSIONS SHOWN IN INCHES |                   |

|   |          |                                |        |
|---|----------|--------------------------------|--------|
| <b>TURNSTILE<br/>SECURITY SYSTEMS INC</b> |          | MODEL : 4 ARM                  |        |
|   |          | ASSY NAME: 4ARM-GATE-MAIN-ASSY |        |
|   |          | MATERIAL: SEE PART DRG         |        |
|   |          | RAW MATL SIZE: SEE PART DRG    |        |
|   |          | <b>PART/ASSY NAME:</b>         |        |
|   |          | <b>4ARM-GATE-MAIN-ASSY</b>     |        |
|   |          | REV                            | 0      |
| SIZE                                      | PART NO: | SCALE                          | SHEET  |
| A2  | 4ARM-100 | 0.350                          | 3 OF 5 |

245, Matheson Blvd. E, Mississauga,  
Ontario, L4Z 3C9 CANADA  
TEL: (905) 890-2222 FAX: (905) 890-3786

This Document Contains Proprietary Information and is the property of TURNSTILE SECURITY SYSTEMS INC. and shall not be reproduced, copied, or used as a basis for the manufacture of equipment without written permission.

### PARTS LIST

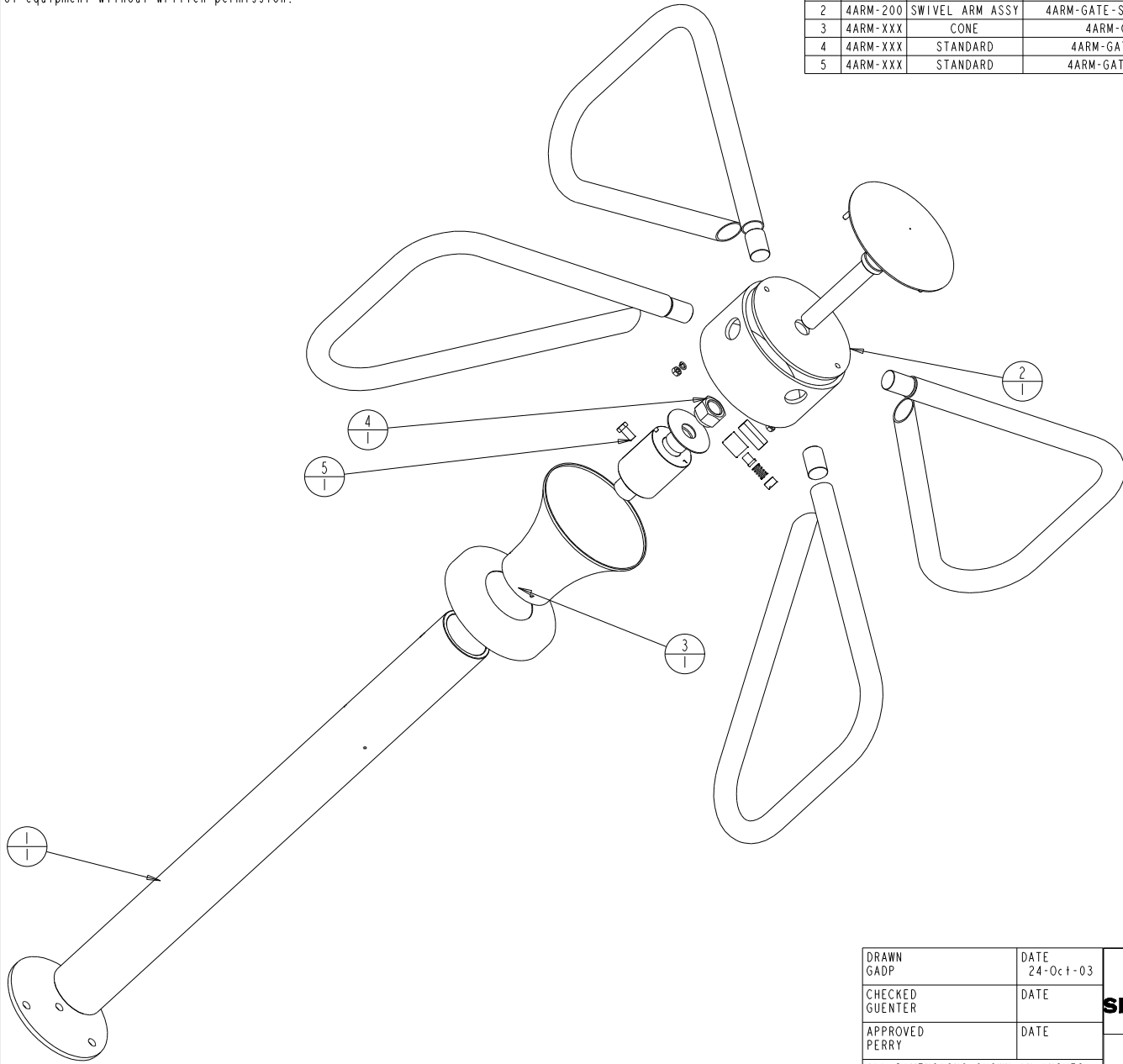
| ITEM | PART NO. | DESCRIPTION         | MODEL NAME                    | TYPE     | RAW MATERIAL SIZE                | VENDOR INFO             | QTY |
|------|----------|---------------------|-------------------------------|----------|----------------------------------|-------------------------|-----|
| 1    | 4ARM-200 | POST ASSY           | 4ARM-GATE-POST-ASSY           | ASSEMBLY | SEE PART DRG                     | SEE PART DRG            | 1   |
|      | 4ARM-201 | FLANGE              | 4ARM-GATE-FLANGE              | PART     | 0.288 THK                        | -                       | 1   |
|      | 4ARM-202 | POST                | 4ARM-GATE-POST                | PART     | DIA2.375 X 0.12WALL(16GA)DOM     | FOR PLATING             | 1   |
|      | 4ARM-203 | FLANGE COVER        | 4ARM-GATE-FLANGE-COVER        | PART     | 16 GA-                           | FOR FORMING AND PLATING | 1   |
| 2    | 4ARM-200 | SWIVEL ARM ASSY     | 4ARM-GATE-SWIVEL-ARM-ASSY     | ASSEMBLY | SEE PART DRG                     | SEE PART DRG            | 1   |
|      | 4ARM-301 | ARM BODY ASSY       | 4ARM-GATE-ARM-BODY            | ASSEMBLY | SEE PART DRG                     | SEE PART DRG            | 1   |
|      | 4ARM-302 | TOP PLATE ASSY      | 4ARM-GATE-TOP-PLATE           | ASSEMBLY | SEE PART DRG                     | SEE PART DRG            | 1   |
|      | 4ARM-203 | BRAKE SPRING WASHER | 4ARM-GATE-BRAKE-SPRING-WASHER | PART     | 1/4 IN X 0.06 THK-               | FOR PLATING             | 2   |
|      | 4ARM-204 | TOP PLATE NUT       | 4ARM-GATE-TOP-PLATE-NUT       | PART     | 1/4-20 UNC                       | FOR PLATING             | 2   |
|      | 4ARM-305 | ARM ASSY            | 4ARM-GATE-ARM-ASSY            | ASSEMBLY | SEE PART DRG                     | SEE PART DRG            | 4   |
|      | 4ARM-206 | PLASTIC WASHER      | 4ARM-GATE-PLASTIC-WASHER      | PART     | 0.064 THK-                       | -                       | 1   |
|      | 4ARM-307 | BEARING ASSY        | 4ARM-GATE-BEARING-ASSY        | ASSEMBLY | SEE PART DRG                     | SEE PART DRG            | 1   |
| 3    | 4ARM-XXX | CONE                | 4ARM-GATE-CONE                | PART     | 16 GA THK                        | -                       | 1   |
| 4    | 4ARM-XXX | STANDARD            | 4ARM-GATE-POST-BOLT           | PART     | HEX HEAD 3/8-24 X 3/4 L          | -                       | 1   |
| 5    | 4ARM-XXX | STANDARD            | 4ARM-GATE-LOCK-NUT            | PART     | 1 IN-8 X 5-1/2 WITH NYLON WASHER | -                       | 1   |

|                                |                   |   |  |                      |
|--------------------------------|-------------------|---|--|----------------------|
| DRAWN<br>GADP                  | DATE<br>23-Oct-03 | <b>TURNSTILE<br/>SECURITY SYSTEMS INC</b>   | MODEL : 4 ARM<br>ASSY NAME: 4ARM-GATE-MAIN-ASSY      |                      |
| CHECKED<br>GUENTER             | DATE              |   | MATERIAL: SEE PART DRG<br>RAW MATL SIZE-SEE PART DRG |                      |
| APPROVED<br>PERRY              | DATE              |   | <b>PART/ASSY NAME:<br/>4ARM-GATE-MAIN-ASSY</b>       | REV<br>0             |
| ALL DIMENSIONS SHOWN IN INCHES |                   |   | SIZE<br>A2   | PART NO:<br>4ARM-100 |
|                                |                   | 245, Matheson Blvd. E, Mississauga,<br>Ontario, L4Z 3C9 CANADA<br>TEL: (905) 890-2222 FAX: (905) 890-3786 |  | SHEET<br>4 OF 5      |

This Document Contains Proprietary Information and is the property of TURNSTILE SECURITY SYSTEMS INC. and shall not be reproduced, copied, or used as a basis for the manufacture of equipment without written permission.

### PARTS LIST

| ITEM | PART NO. | DESCRIPTION     | MODEL NAME                | RAW MATERIAL SIZE                | VENDOR INFO | QTY |
|------|----------|-----------------|---------------------------|----------------------------------|-------------|-----|
| 1    | 4ARM-200 | POST ASSY       | 4ARM-GATE-POST-ASSY       | SEE PART DRG                     |             | 1   |
| 2    | 4ARM-200 | SWIVEL ARM ASSY | 4ARM-GATE-SWIVEL-ARM-ASSY | SEE PART DRG                     |             | 1   |
| 3    | 4ARM-XXX | CONE            | 4ARM-GATE-CONE            | 16 GA THK                        |             | 1   |
| 4    | 4ARM-XXX | STANDARD        | 4ARM-GATE-LOCK-NUT        | 1 IN-8 X 5-1/2 WITH NYLON WASHER |             | 1   |
| 5    | 4ARM-XXX | STANDARD        | 4ARM-GATE-POST-BOLT       | HEX HEAD 3/8-24 X 3/4 L          |             | 1   |



|                                |                      |   |   |
|--------------------------------|----------------------|---|---|
| DRAWN<br>GADP                  | DATE<br>24-Oct-03    | <b>TURNSTILE<br/>SECURITY SYSTEMS INC</b>   | MODEL : 4 ARM                                 |
| CHECKED<br>GUENTER             | DATE                 |   | ASSY NAME: 4ARM-GATE-MAIN-ASSY                |
| APPROVED<br>PERRY              | DATE                 |   | MATERIAL: SEE PART DRG                        |
| ALL DIMENSIONS SHOWN IN INCHES |                      | 245, Matheson Blvd. E, Mississauga,<br>Ontario, L4Z 3C9 CANADA<br>TEL: (905) 890-2222 FAX: (905) 890-3786 | RAW MATL SIZE-SEE PART DRG                    |
|                                |                      |   | <b>PART/ASSY NAME:</b><br>4ARM-GATE-MAIN-ASSY |
|                                |                      |   | REV<br>0                                      |
| SIZE<br>A2                     | PART NO:<br>4ARM-100 | SCALE<br>0.250  | SHEET<br>5 OF 5                               |

This document was created with Win2PDF available at <http://www.daneprairie.com>.  
The unregistered version of Win2PDF is for evaluation or non-commercial use only.