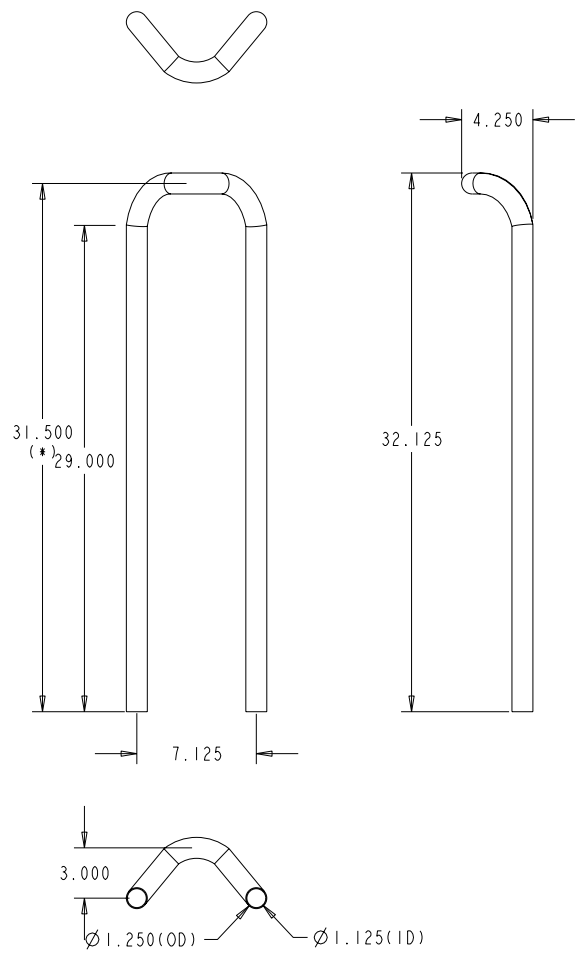


This Document Contains Proprietary Information and is the property of TURNSTILE SECURITY SYSTEMS INC., and shall not be reproduced, copied, or used as a basis for the manufacture of equipment without written permission.

REVISIONS				
ZONE	REV	DESCRIPTION	DATE	ECN
	01	INITIAL RELEASE	--/03	DG



(\*)- ALSO AVAILABLE IN LENGTHS TO SUIT CUSTOMERS REQUIREMENT

FINISH	MPDNC
DRILL_JIG	N/A
WELD_FIXTURE	N/A
VENDOR	FOR PLATING

STANDARD TOLERANCES UNLESS SPECIFIED	
x.x	±0.020
x.xx	±0.010
x.xxx	±0.005
HOLES	±0.003
ANGLES	±1/2°

DRAWN GADP	DATE 17-Nov-03
CHECKED GUENTER	DATE
APPROVED PERRY	DATE
ALL DIMENSIONS SHOWN IN INCHES	

**TURNSTILE SECURITY SYSTEMS INC**

245, Matheson Blvd. E, Mississauga, Ontario, L4Z 3C9 CANADA  
 TEL: (905) 890-2222 FAX: (905) 890-3786

PART NO.: XXXX		CAD FILE: CASE_PROTECTOR.DRW	
MODEL TYPE: CASE_PROTECTOR			
TITLE REMOVEABLE CASE PROTECTOR			
PART/ASSY NAME: CASE_PROTECTOR		REV 0	
SIZE A2	MATERIAL: CRT	SCALE 0.200	SHEET 1 OF 1