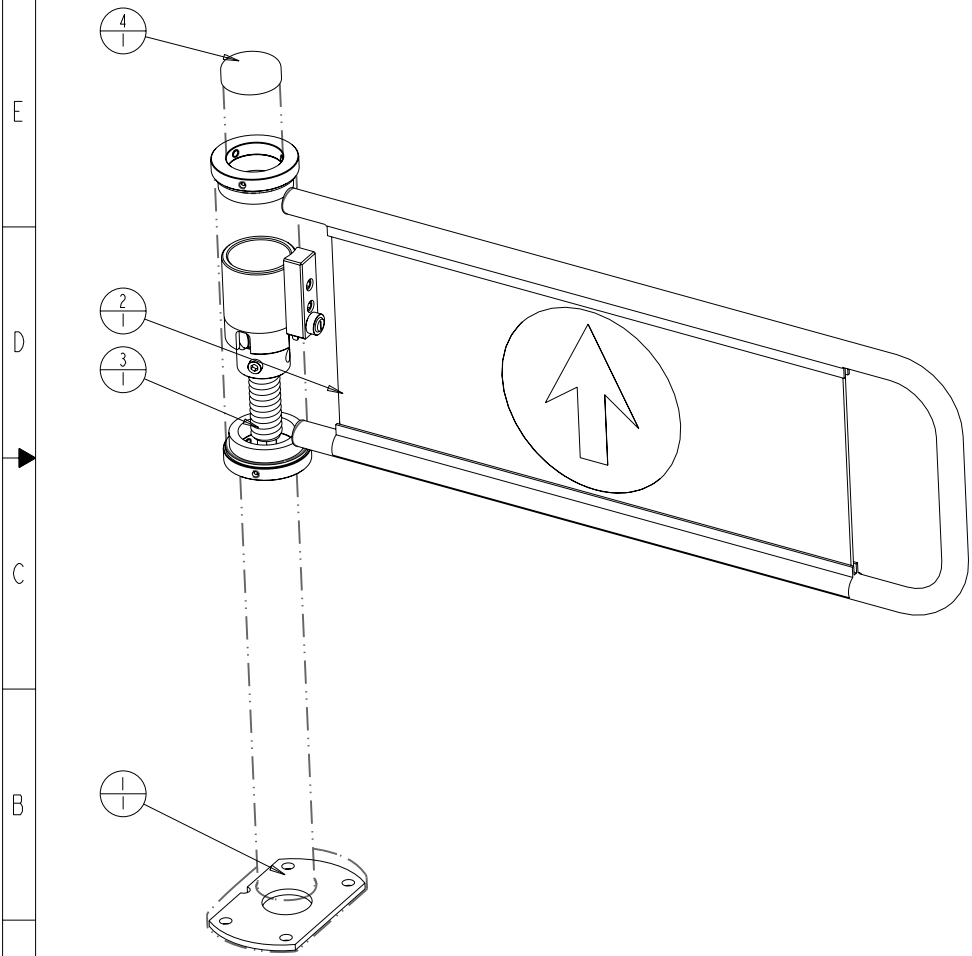


This Document Contains Proprietary Information and is the property of TURNSTYLE SECURITY SYSTEMS INC., and shall not be reproduced, copied, or used as a basis for the manufacture of equipment without written permission.

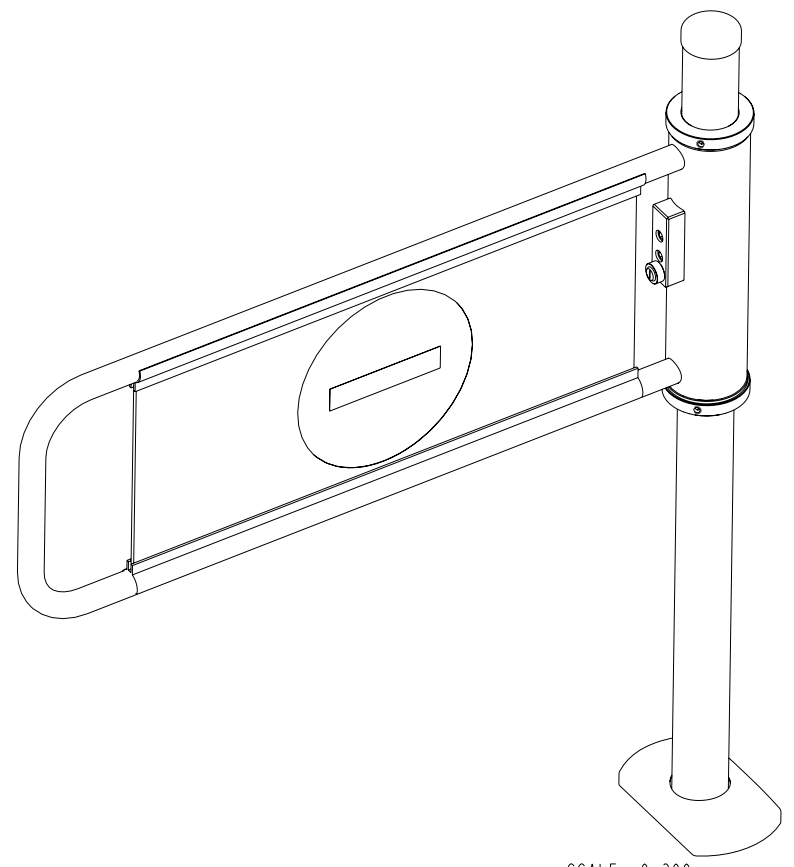
**PARTS LIST**

ITEM	PART NO.	DESCRIPTION	MODEL_NAME	RAW MATERIAL SIZE	VENDOR INFO	QTY
1	LOCK-200	POST ASSY	LOCK-GATE-POST	SEE PART DRAWINGS		1
2	LOCK-300	SWING ARM ASSY	LOCK-GATE-SWING-ARM-ASSY	SEE PART DRG		1
3	LOCK-400	MECHANISM	LOCK-GATE-MECHANISM	SEE PART DRG		1
4	LOCK-XXX	TOP CAP	LOCK-GATE-TOP-CAP	16 GA		1

REVISIONS				
ZONE	REV	DESCRIPTION	DATE	ECN
	01	INITIAL RELEASE	--/03	DG



SCALE 0.300  
VIEW SHOWN WITH BASE COVER,  
POST AND OUTER SLEEVE, HIDDEN



SCALE 0.300

STANDARD TOLERANCES UNLESS SPECIFIED	
x.x	±0.020
x.xx	±0.010
x.xxx	±0.005
HOLES	±0.003
ANGLES	±1/2°

DRAWN GADP	DATE 21-Oct-03
CHECKED GUENTER	DATE
APPROVED PERRY	DATE
ALL DIMENSIONS SHOWN IN INCHES	

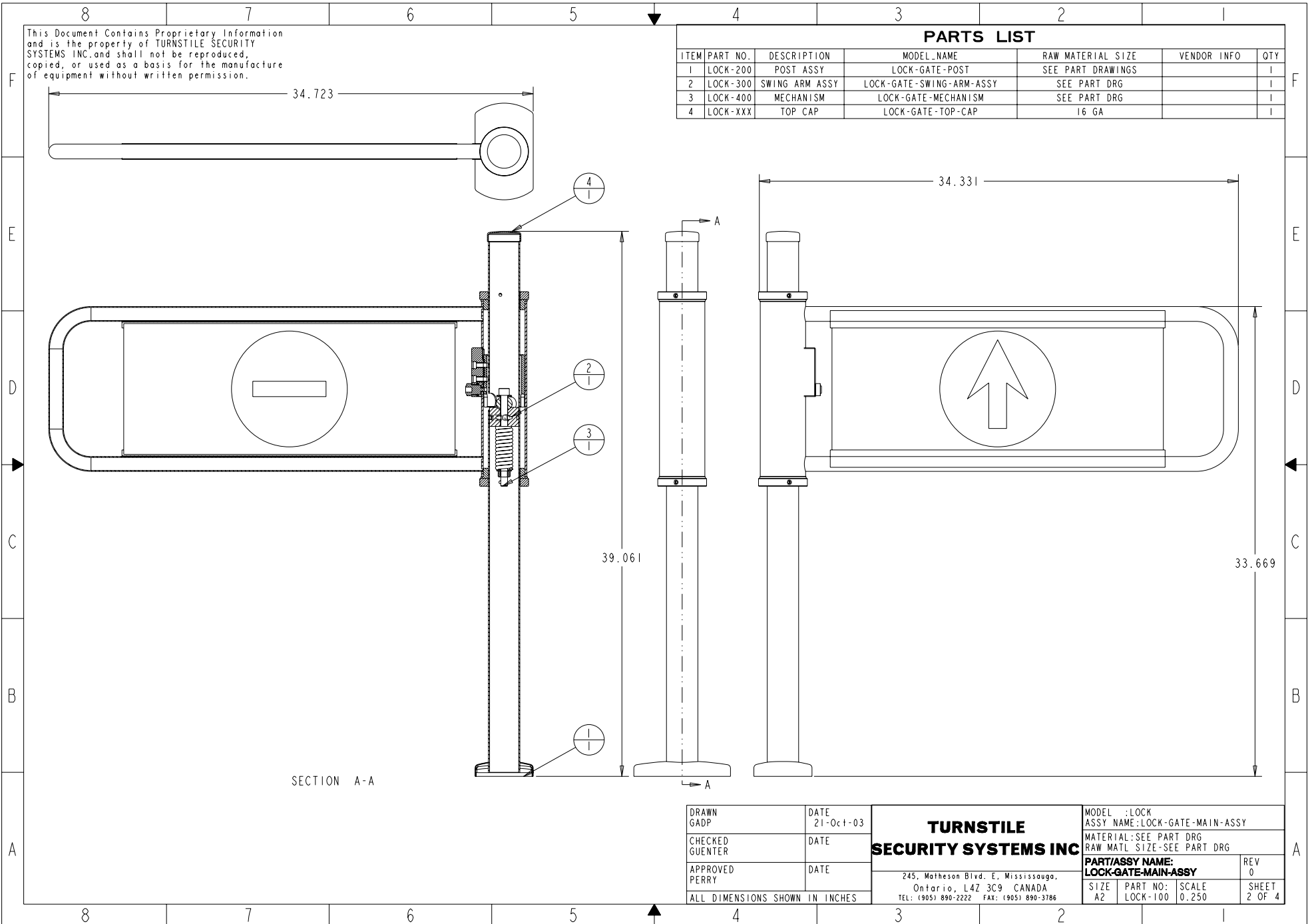
**TURNSTYLE SECURITY SYSTEMS INC**  
245, Matheson Blvd. E, Mississauga, Ontario, L4Z 3C9 CANADA  
TEL: (905) 890-2222 FAX: (905) 890-3786

PART NO.: LOCK-100 CAD FILE: LOCK-GATE-MAIN-ASSY.DRW	
MODEL TYPE: LOCK	
TITLE LOCK GATE MAIN ASSY	
PART/ASSY NAME: LOCK-GATE-MAIN-ASSY	
SIZE A2 SEE PART DRG	SCALE 0.100
MATERIAL	SHEET 1 OF 4
REV 0	

This Document Contains Proprietary Information and is the property of TURNSTILE SECURITY SYSTEMS INC. and shall not be reproduced, copied, or used as a basis for the manufacture of equipment without written permission.

### PARTS LIST

ITEM	PART NO.	DESCRIPTION	MODEL NAME	RAW MATERIAL SIZE	VENDOR INFO	QTY
1	LOCK-200	POST ASSY	LOCK-GATE-POST	SEE PART DRAWINGS		1
2	LOCK-300	SWING ARM ASSY	LOCK-GATE-SWING-ARM-ASSY	SEE PART DRG		1
3	LOCK-400	MECHANISM	LOCK-GATE-MECHANISM	SEE PART DRG		1
4	LOCK-XXX	TOP CAP	LOCK-GATE-TOP-CAP	16 GA		1



SECTION A-A

DRAWN GADP	DATE 21-Oct-03
CHECKED GUENTER	DATE
APPROVED PERRY	DATE
ALL DIMENSIONS SHOWN IN INCHES	

**TURNSTILE  
SECURITY SYSTEMS INC**

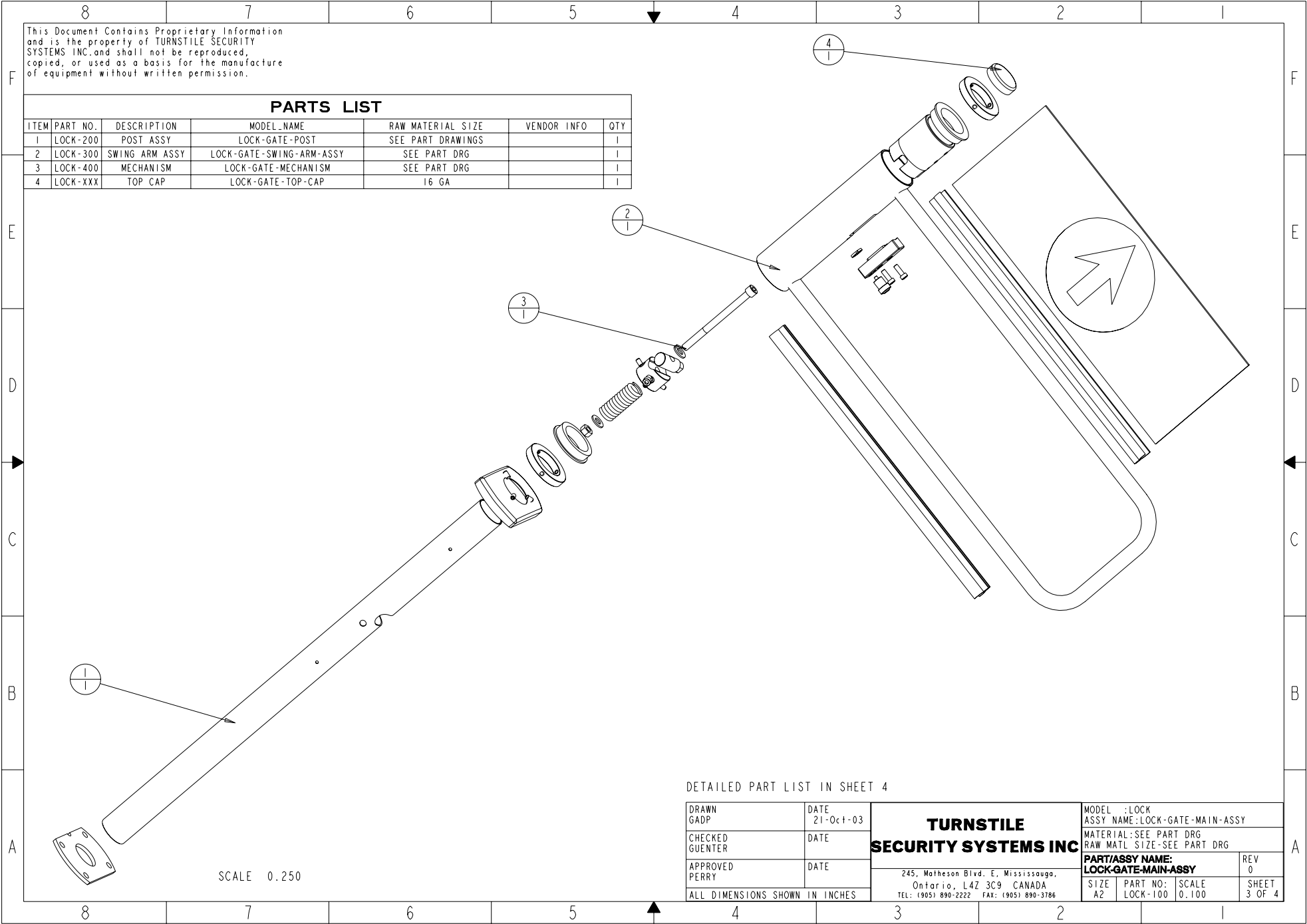
245, Matheson Blvd. E, Mississauga,  
Ontario, L4Z 3C9 CANADA  
TEL: (905) 890-2222 FAX: (905) 890-3786

MODEL : LOCK ASSY NAME: LOCK-GATE-MAIN-ASSY			
MATERIAL: SEE PART DRG RAW MATL SIZE-SEE PART DRG			
<b>PART/ASSY NAME:</b> <b>LOCK-GATE-MAIN-ASSY</b>			REV 0
SIZE A2	PART NO: LOCK-100	SCALE 0.250	SHEET 2 OF 4

This Document Contains Proprietary Information and is the property of TURNSTILE SECURITY SYSTEMS INC. and shall not be reproduced, copied, or used as a basis for the manufacture of equipment without written permission.

**PARTS LIST**

ITEM	PART NO.	DESCRIPTION	MODEL NAME	RAW MATERIAL SIZE	VENDOR INFO	QTY
1	LOCK-200	POST ASSY	LOCK-GATE-POST	SEE PART DRAWINGS		1
2	LOCK-300	SWING ARM ASSY	LOCK-GATE-SWING-ARM-ASSY	SEE PART DRG		1
3	LOCK-400	MECHANISM	LOCK-GATE-MECHANISM	SEE PART DRG		1
4	LOCK-XXX	TOP CAP	LOCK-GATE-TOP-CAP	16 GA		1



SCALE 0.250

DETAILED PART LIST IN SHEET 4

DRAWN GADP	DATE 21-Oct-03	<b>TURNSTILE SECURITY SYSTEMS INC</b>	MODEL : LOCK ASSY NAME: LOCK-GATE-MAIN-ASSY	
CHECKED GUENTER	DATE		MATERIAL: SEE PART DRG RAW MATL SIZE-SEE PART DRG	
APPROVED PERRY	DATE		<b>PART/ASSY NAME: LOCK-GATE-MAIN-ASSY</b>	
ALL DIMENSIONS SHOWN IN INCHES		245, Matheson Blvd. E, Mississauga, Ontario, L4Z 3C9 CANADA TEL: (905) 890-2222 FAX: (905) 890-3786		REV 0
		SIZE A2	PART NO: LOCK-100	SCALE 0.100
				SHEET 3 OF 4

This Document Contains Proprietary Information and is the property of TURNSTILE SECURITY SYSTEMS INC. and shall not be reproduced, copied, or used as a basis for the manufacture of equipment without written permission.

### PARTS LIST

ITEM	PART NO.	DESCRIPTION	MODEL NAME	TYPE	RAW MATERIAL SIZE	VENDOR INFO	QTY
1	LOCK-200	POST ASSY	LOCK-GATE-POST	ASSEMBLY	SEE PART DRAWINGS	SEE PART DRAWINGS	1
	LOCK-201	BASE	LOCK-GATE-BASE	PART	0.265 THK	LASER CUT	1
	LOCK-202	POST	LOCK-GATE-POST	PART	2.375 X 0.12 WALL DOM	FOR FORMING & PLATING	1
	LOCK-203	BASE COVER	LOCK-GATE-BASE-COVER	PART	16 GA	FOR PLATING	1
2	LOCK-300	SWING ARM ASSY	LOCK-GATE-SWING-ARM-ASSY	ASSEMBLY	SEE PART DRG	-	1
	LOCK-301	OUTER SLEEVE	LOCK-GATE-OUTER-SLEEVE	PART	3-1/4 X 1/8 WALL DOM	FOR PLATING	1
	LOCK-302	SWING ARM	LOCK-GATE-SWING-ARM	PART	1-1/16 CRW 16 GA	-	1
	LOCK-303	GATE PROFILE	LOCK-GATE-PROFILE	PART	STANDARD	STANDARD	2
	LOCK-304	SIGN PLATE	LOCK-GATE-SIGN-PLATE	PART	3/16 THK	FOR SCREEN PRINTING	1
	LOCK-305	HYLATRON GSM	LOCK-GATE-HYLATRON	PART	3-1/4IN OD X 2IN ID	-	2
	LOCK-306	COLLAR	LOCK-GATE-COLLAR	PART	DIA 2-1/4 IN	FOR PLATING	2
	LOCK-307	LOCK ASSY	LOCK-GATE-LOCK-ASSY	ASSEMBLY	SEE PART DRG	SEE PART DRG	1
	LOCK-308	INNER SLEEVE	LOCK-GATE-INNER-SLEEVE	PART	DIA 3 IN X1/4WALL DOM	FOR HARDENING & PLATING	1
	LOCK-309	CONE SCREW	CONE-SET-SCREW	PART	5/16-18 X 5/8	-	6
3	LOCK-400	MECHANISM	LOCK-GATE-MECHANISM	ASSEMBLY	SEE PART DRG	SEE PART DRG	1
	LOCK-401	BOLT	LOCK-GATE-BOLT	PART	1/2-13 X 6.5 IN ALLEN CAP HEAD	-	1
	LOCK-402	STANDARD	LOCK-GATE-WASHER	PART	1.07 DIA X 0.1 THK	FOR PLATING	2
	LOCK-403	PANIC FINGER	LOCK-GATE-PANIC-FINGER	PART	DIA 1 IN CR	-	1
	LOCK-404	MECHANISM BODY	LOCK-GATE-MECHANISM-BODY	PART	DIA 2-1/8" CR	FOR PLATING & HEAT TREATING	1
	LOCK-405	STANDARD	LOCK-GATE-SPRING-CLOSE	PART	W/DIA 1.04	FOR PLATING	1
	LOCK-406	STANDARD	LOCK-GATE-NUT	PART	1/2-13 UNC	FOR PLATING	1
	LOCK-407	STANDARD	ALLEN-HEAD-SCREW	PART	3/816 X 5/8	FOR PLATING	2
4	LOCK-XXX	TOP CAP	LOCK-GATE-TOP-CAP	PART	16 GA	FOR PLATING AND FORMING	1

DRAWN GADP	DATE 21-Oct-03	<b>TURNSTILE SECURITY SYSTEMS INC</b>	MODEL : LOCK ASSY NAME: LOCK-GATE-MAIN-ASSY		
CHECKED GUENTER	DATE		MATERIAL: SEE PART DRG RAW MATL SIZE-SEE PART DRG		
APPROVED PERRY	DATE		<b>PART/ASSY NAME: LOCK-GATE-MAIN-ASSY</b>		
ALL DIMENSIONS SHOWN IN INCHES		245, Matheson Blvd. E, Mississauga, Ontario, L4Z 3C9 CANADA TEL: (905) 890-2222 FAX: (905) 890-3786		REV 0	
		SIZE A2	PART NO: LOCK-100	SCALE 0.100	SHEET 4 OF 4