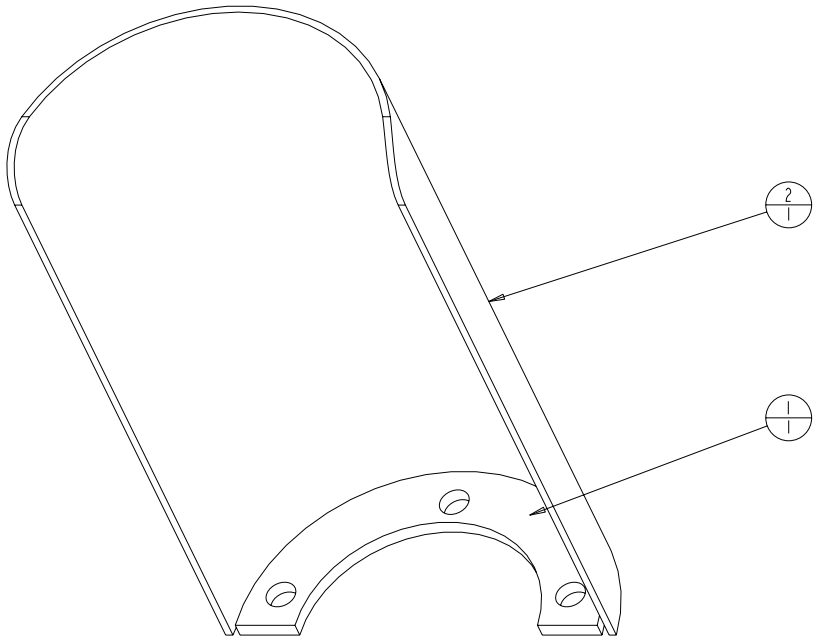


This Document Contains Proprietary Information and is the property of TURNSTYLE SECURITY SYSTEMS INC., and shall not be reproduced, copied, or used as a basis for the manufacture of equipment without written permission.

PARTS LIST

ITEM	PART NO.	DESCRIPTION	MODEL NAME	RAW MATERIAL SIZE	VENDOR INFO	QTY
1	COPR-101	HORSE SHOE	CORNER-PROTECTOR-HORSE-SHOE	6- $\frac{1}{4}$ X 4-3/16X 0.25 THK		1
2	COPR-102	ARC PIPE	CORNER-PROTECTOR-ARC-PIPE	6-3/4 (IN OD) X $\frac{1}{4}$ THK		1

REVISIONS				
ZONE	REV	DESCRIPTION	DATE	ECN
	01	INITIAL RELEASE	--/03	DG



STANDARD TOLERANCES UNLESS SPECIFIED	
x.x	±0.020
x.xx	±0.010
x.xxx	±0.005
HOLES	±0.003
ANGLES	±1/2°

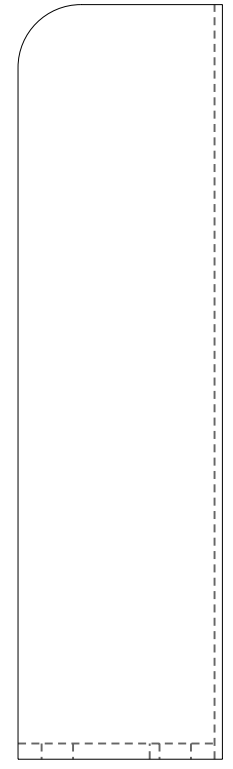
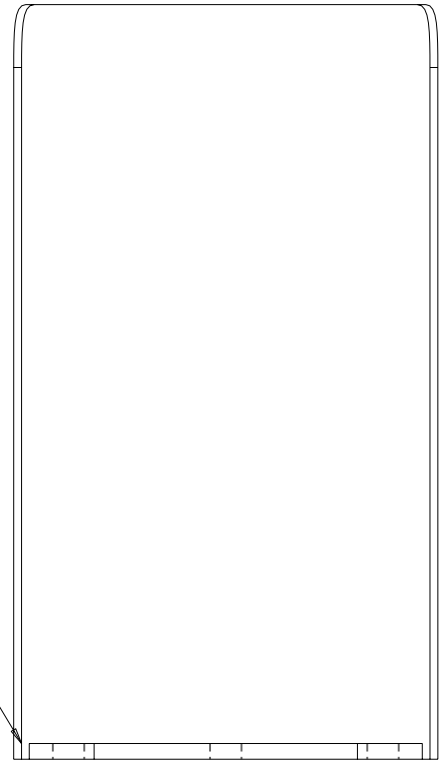
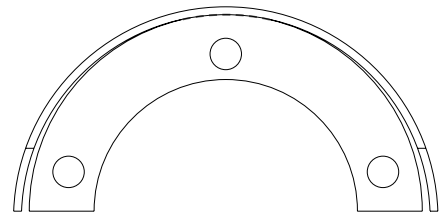
DRAWN GADP	DATE 18-Nov-03
CHECKED GUENTER	DATE
APPROVED PERRY	DATE
ALL DIMENSIONS SHOWN IN INCHES	

TURNSTYLE SECURITY SYSTEMS INC

245, Matheson Blvd. E. Mississauga, Ontario, L4Z 3C9 CANADA
 TEL: (905) 890-2222 FAX: (905) 890-3786

PART NO.: COPR-100		CAD FILE: CORNER-PROTECTOR-ASSY.DRW	
MODEL TYPE: CORNER PROTECTOR			
TITLE: CORNER PROTECTOR ASSY			
PART/ASSY NAME: CORNER-PROTECTOR-ASSY		REV 0	SHEET 1 OF 4
SIZE A2	MATERIAL: SEE PART DRG.	SCALE 0.750	

This Document Contains Proprietary Information
 and is the property of TURNSTILE SECURITY
 SYSTEMS INC. and shall not be reproduced,
 copied, or used as a basis for the manufacture
 of equipment without written permission.



2 PLACES $2.5 \sqrt{c}$.25-2.5

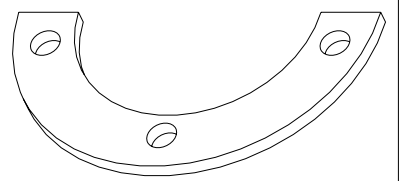
DRAWN GADP	DATE 18-Nov-03
CHECKED GUENTER	DATE
APPROVED PERRY	DATE
ALL DIMENSIONS SHOWN IN INCHES	

**TURNSTILE
 SECURITY SYSTEMS INC**

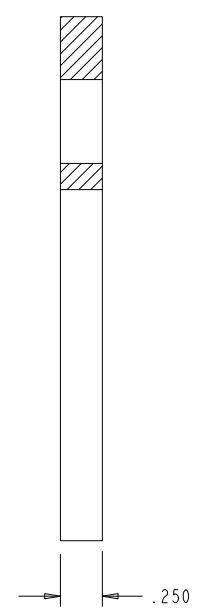
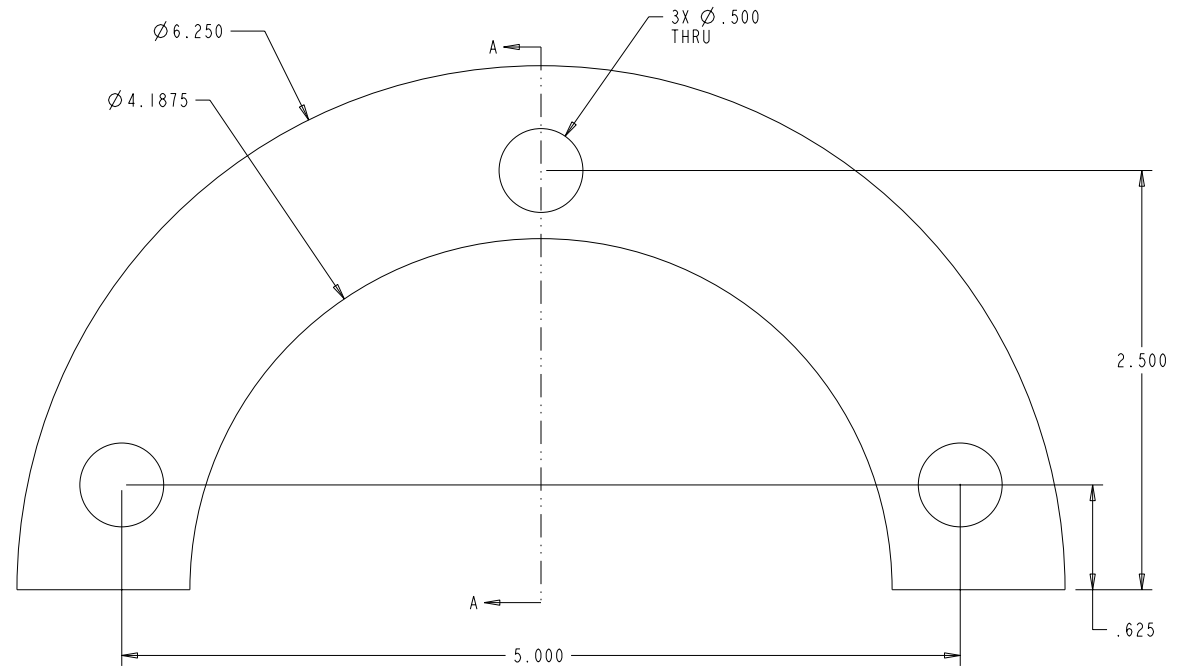
245, Matheson Blvd. E, Mississauga,
 Ontario, L4Z 3C9 CANADA
 TEL: (905) 890-2222 FAX: (905) 890-3786

MODEL : CORNER PROTECTOR			
ASSY NAME: CORNER-PROTECTOR-ASSY			
MATERIAL: SEE PART DRG			
RAW MATL SIZE-SEE PART DRG			
PART/ASSY NAME:			REV
CORNER-PROTECTOR-ASSY			0
SIZE A2	PART NO: COPR-100	SCALE 0.750	SHEET 2 OF 4

This Document Contains Proprietary Information and is the property of TURNSTILE SECURITY SYSTEMS INC. and shall not be reproduced, copied, or used as a basis for the manufacture of equipment without written permission.



SCALE 0.75



SECTION A-A

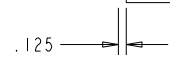
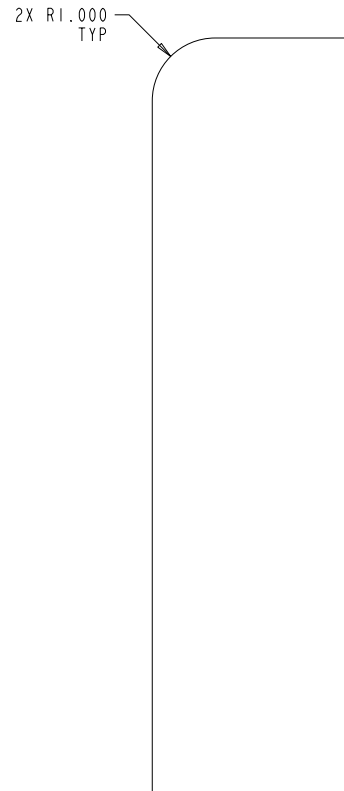
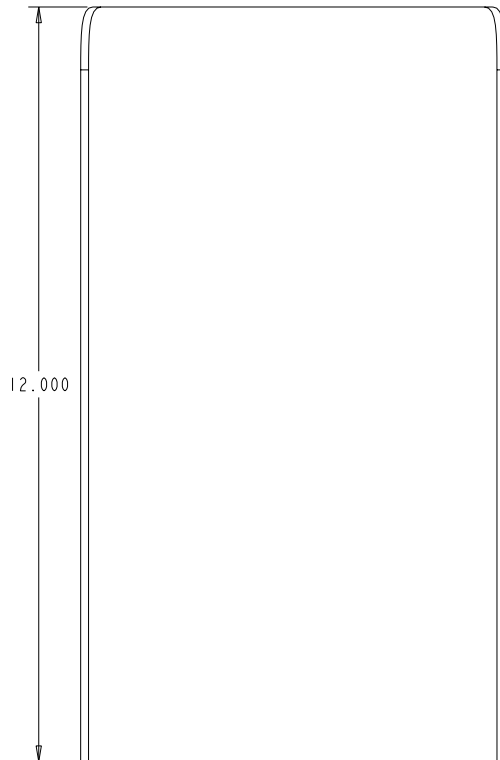
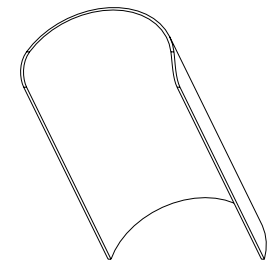
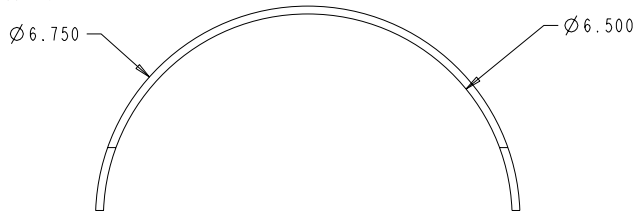
FINISH	MPDNC AFTER WELDING
DRILL_JIG	N/A
WELD_FIXTURE	N/A
VENDOR	FOR PLATING

DRAWN	GADP	DATE	18-Nov-03
CHECKED	GUENTER	DATE	
APPROVED	PERRY	DATE	
ALL DIMENSIONS SHOWN IN INCHES			

TURNSTILE SECURITY SYSTEMS INC
 245, Matheson Blvd. E, Mississauga, Ontario, L4Z 3C9 CANADA
 TEL: (905) 890-2222 FAX: (905) 890-3786

MODEL :CORNER PROTECTOR			
ASSY NAME:CORNER-PROTECTOR-ASSY			
MATERIAL:MILD STEEL-C15			
RAW MATL SIZE-6 X 4-3/16 X 0.25 THK			
PART/ASSY NAME: CORNER-PROTECTOR-HORSE-SHOE			REV 0
SIZE A2	PART NO: COPR-101	SCALE 2.000	SHEET 3 OF 4

This Document Contains Proprietary Information and is the property of TURNSTILE SECURITY SYSTEMS INC. and shall not be reproduced, copied, or used as a basis for the manufacture of equipment without written permission.



FINISH	MPDNC AFTER WELDING
DRILL_JIG	N/A
WELD_FIXTURE	N/A
VENDOR	FOR PLATING IN ASSY

DRAWN GADP	DATE 18-Nov-03
CHECKED GUENTER	DATE
APPROVED PERRY	DATE
ALL DIMENSIONS SHOWN IN INCHES	

TURNSTILE SECURITY SYSTEMS INC
 245, Matheson Blvd. E, Mississauga, Ontario, L4Z 3C9 CANADA
 TEL: (905) 890-2222 FAX: (905) 890-3786

MODEL : CORNER PROTECTOR ASSY NAME : CORNER-PROTECTOR-ASSY			
MATERIAL: MILD STEEL-C15 RAW MATL SIZE-6-3/4 IN(OD) X 1/4 THK			
PART/ASSY NAME: CORNER-PROTECTOR-ARC-PIPE			REV 0
SIZE A2	PART NO: COPR-102	SCALE 0.750	SHEET 4 OF 4